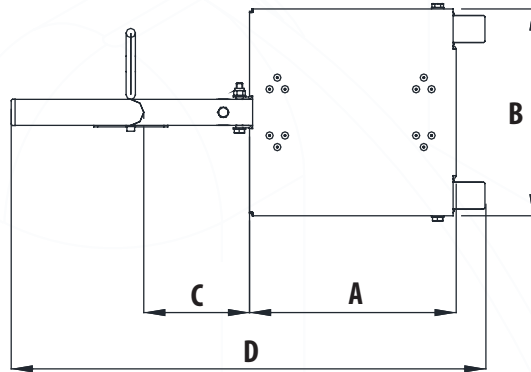
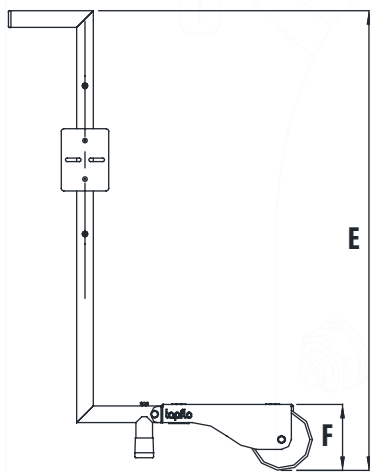


MOBILE SOLUTIONS FOR PUMP UNITS AND SYSTEMS

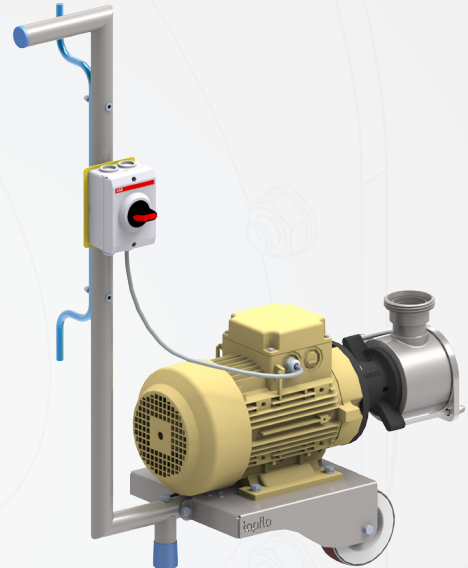
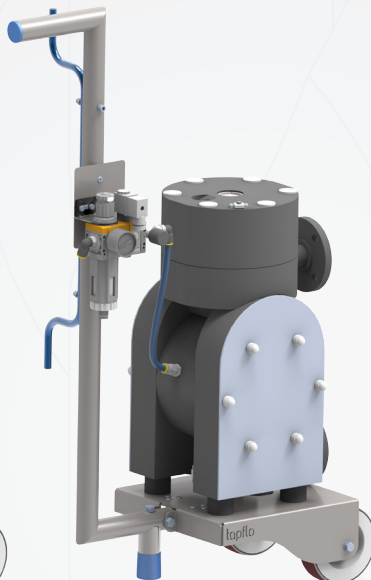
tapflo®

Mobile Pump Units are found as the best solution for the users of spread technological processes. The portability of the Units allows easy movement to various locations. This means almost limitless application.

» Trolley S | 2-wheel



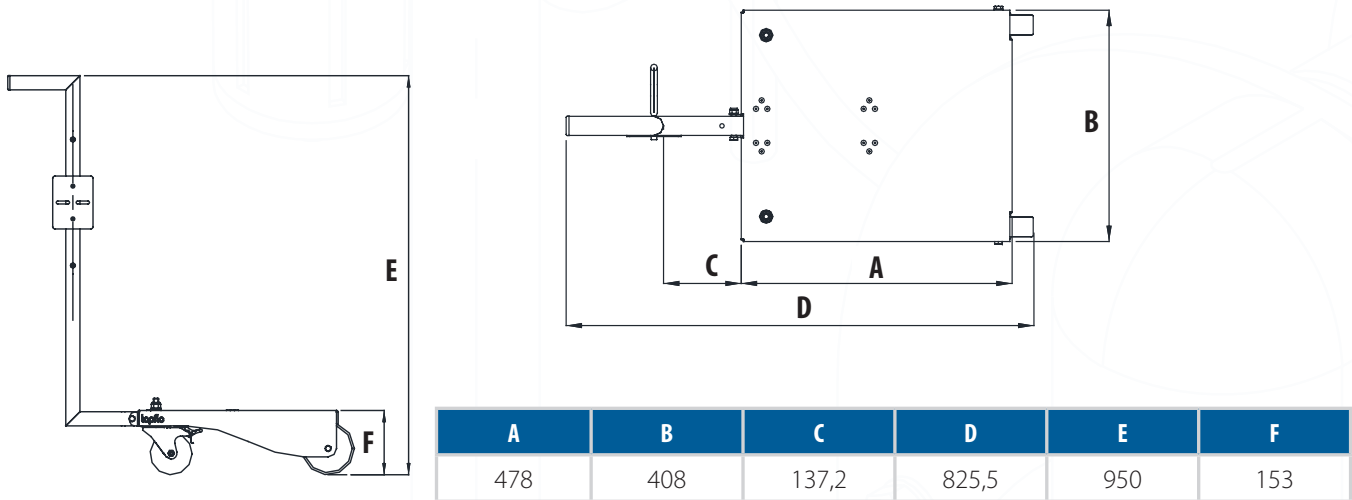
| A | B | C | D | E | F |
|-----|-----|-------|-------|-------|-------|
| 268 | 268 | 137,2 | 615,5 | 930,5 | 133,5 |



Application recommendations

- Monoblock pumps with output power up to **4,0 kW**
(assembled with the following IEC standard motors: motor type: IMB34, IMB35; max. motor size: 112).
- Tapflo standard AODD pumps with capacity up to **125 l/min**
(pump sizes: up to 100/120, except T80).

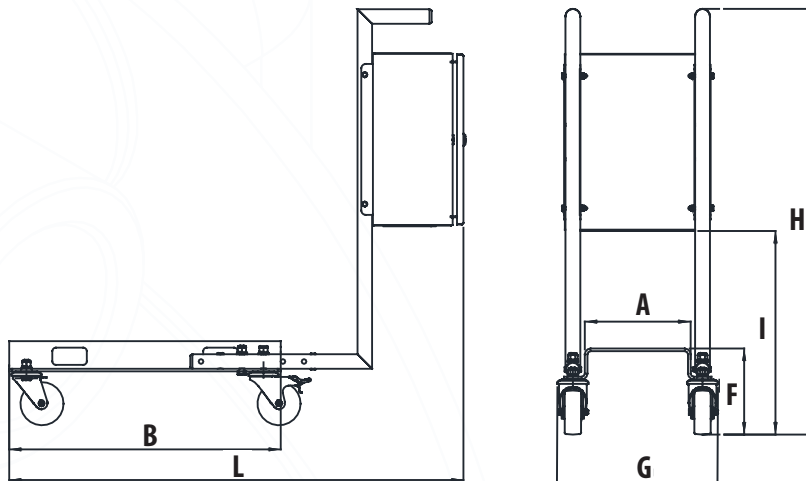
» Trolley M | 4-wheel



Application recommendations

- Monoblock pumps with output power up to **7,5 kW**
(assembled with the following IEC standard motors: motor type: IMB34, IMB35; max. motor size: 132).
- Tapflo standard AODD pumps with capacity up to **570 l/min**
(pump sizes: up to 400/420, except T425).

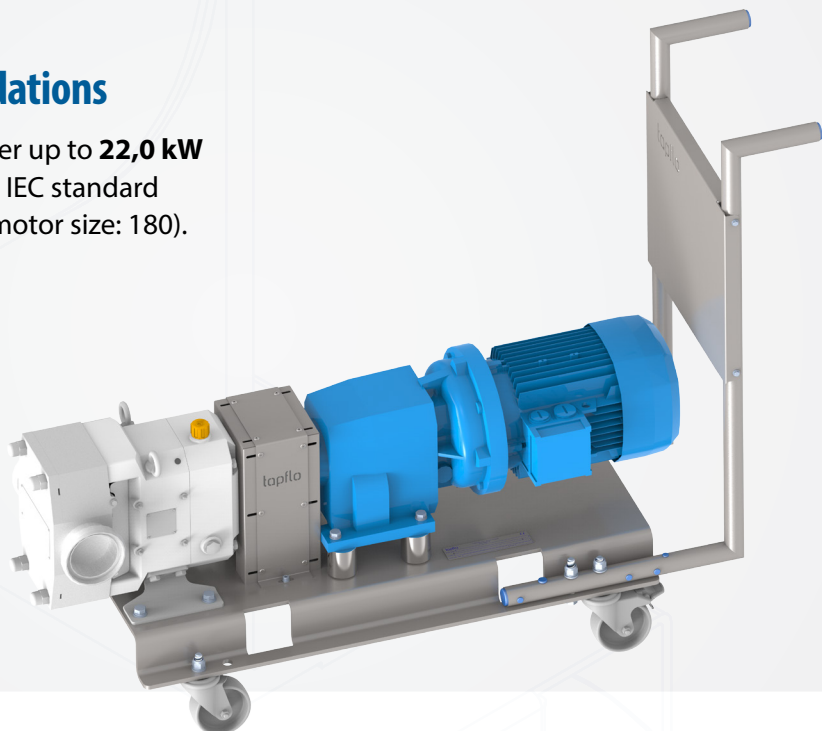
» Trolley L | 4-wheel



| Trolley type | A | B | F | G | H | I | L |
|--------------|-----|------|-----|-----|-----|-----|------|
| troll L285 | 196 | 500 | 195 | 320 | 965 | 490 | 870 |
| troll L344 | 252 | 630 | 195 | 364 | 965 | 490 | 980 |
| troll L466 | 356 | 710 | 221 | 486 | 965 | 490 | 990 |
| troll L390 | 312 | 900 | 205 | 420 | 967 | 492 | 1190 |
| troll L490 | 380 | 1120 | 225 | 510 | 969 | 494 | 1420 |
| troll L540 | 430 | 1250 | 225 | 560 | 969 | 494 | 1535 |
| troll L610 | 480 | 1400 | 225 | 620 | 969 | 494 | 1660 |

Application recommendations

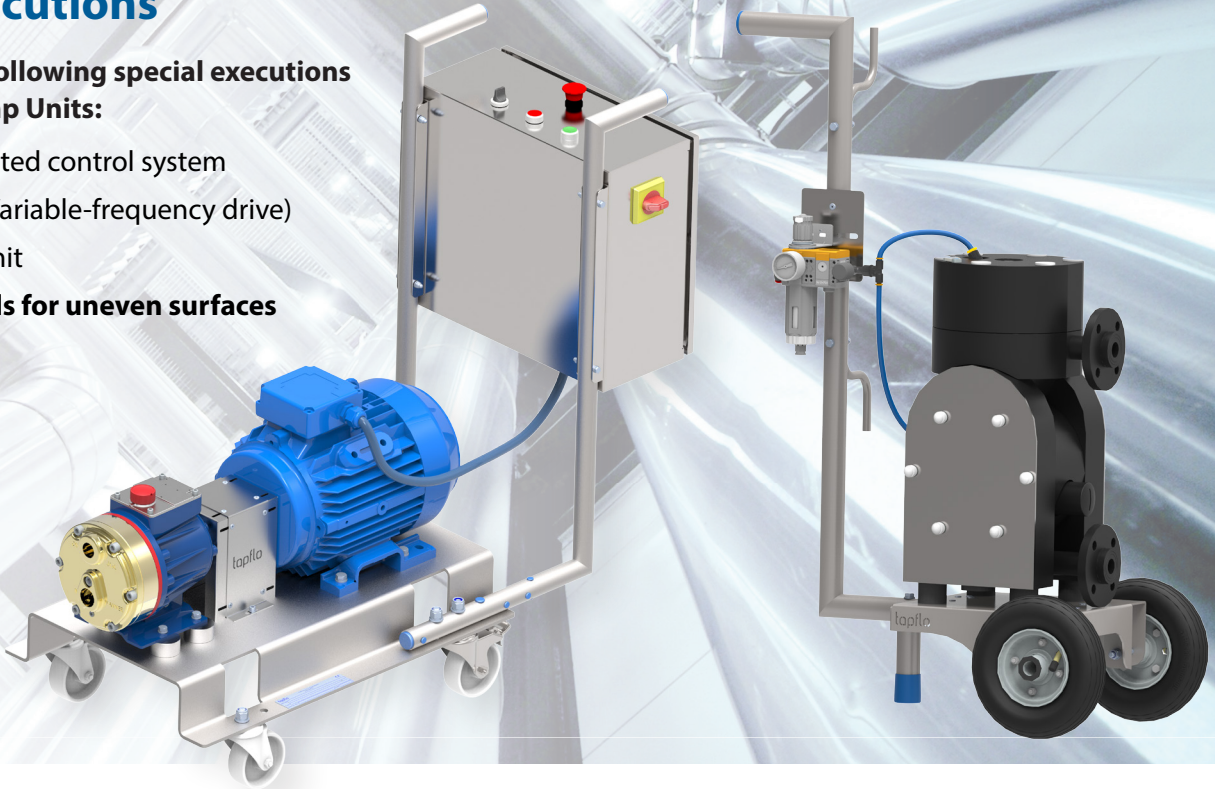
- Pump units with output power up to **22,0 kW** (assembled with the following IEC standard motors: motor type: B3; max. motor size: 180).



Special executions

Tapflo offers the following special executions of the Mobile Pump Units:

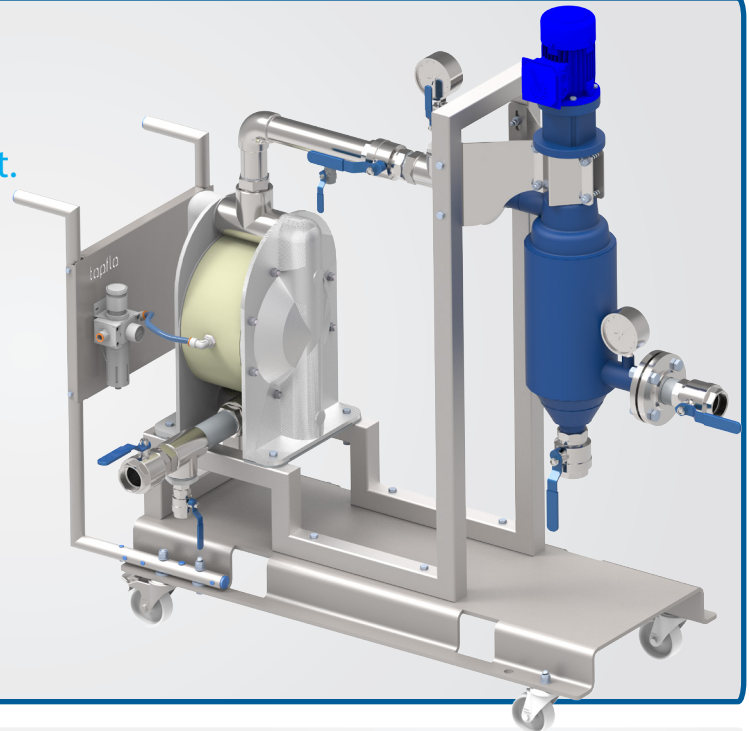
- Unit with a dedicated control system
- Unit with a VFD (Variable-frequency drive)
- ATEX approved Unit
- **Pneumatic wheels for uneven surfaces**



Custom Designed Mobile Systems

This is functionality, not only a product.

Engineering to Order now includes also Custom Designed Mobile Systems. Basing on our experience with pumping SKID units, we deliver complete “made to measure” mobile units, ready to execute user’s technological process.



TAPFLO AB

Sweden

Filaregatan 4 | S-442 34 Kungälv

Tel: + 46 303 63390

Fax: +46 303 19916

Enquiries: sales@tapflo.com

Orders: order@tapflo.com

Tech support: support@tapflo.com

Dealer info

This brochure is for informational purposes only and does not constitute an offer