

IOM manual

tapflo®

# Sanitary Series Diaphragm Pumps

edition 2016 rev 1



Read this instruction manual carefully,  
before you install and operate the pump



Pump models:

T/TX30  
T/TX80  
T/TX125  
T/TX225  
T/TX425



» All about your flow

[www.tapflo.com](http://www.tapflo.com)

# CONTENTS

---

<b>0. GENERAL</b> .....	5
0.1. Introduction.....	5
0.2. Warning symbols.....	5
0.3. Qualification and training of personnel.....	5
<b>1. INSTALLATION</b> .....	6
1.1. Operation principle.....	6
1.2. Receiving inspection.....	6
1.3. Storage.....	7
1.4. Foundation.....	7
1.5. Suction and discharge piping.....	7
1.5.1. Connection of suction pipe.....	7
1.5.2. Connection of discharge pipe.....	7
1.6. Health and safety.....	8
1.6.1. Protection.....	8
1.6.2. Explosion hazardous environments – ATEX.....	8
1.6.3. Air pressure.....	8
1.6.4. Noise level.....	9
1.6.5. Temperature hazards.....	9
1.7. Air connection.....	9
1.7.1. Air treatment system.....	9
1.8. Example of installation.....	10
1.9. Recommended installations.....	10
1.9.1. Flooded.....	10
1.9.2. Self-priming.....	10
<b>2. OPERATION</b> .....	11
2.1. Before starting the pump.....	11
2.2. Starting and operation.....	11
2.2.1. Dry running.....	11
2.2.2. Optimization of the pump lifetime.....	11
2.3. Pump stopping.....	12
2.4. Cleaning of the pump.....	12
2.4.1. CIP – Cleaning In Place.....	12
2.4.1.1. Drainage of the pump (T80 – T425).....	13
<b>3. MAINTENANCE</b> .....	14
3.1. When the pump is new or reassembled.....	14
3.1.1. Performance test.....	14
3.2. Routine inspection.....	14
3.3. Complete inspection.....	14

# CONTENTS

---

3.4.	Location of faults .....	15
3.5.	T30 – Disassembly of the pump .....	16
3.5.1.	Before the disassembly procedure .....	16
3.5.2.	Disassembly procedure .....	16
3.6.	T30 – Assembly of the pump .....	18
3.6.1.	Test run .....	19
3.7.	T80-T425 – Disassembly of the pump .....	20
3.7.1.	Before the disassembly procedure .....	20
3.7.2.	Disassembly procedure .....	20
3.8.	T80-T425 – assembly of the pump .....	23
3.8.1.	Test run .....	24
3.9.	Valve options .....	25
3.9.1.	Flap valves .....	25
3.9.2.	Ball cup valves .....	25
4.	SPARE PARTS .....	27
4.1.	T30 – Spare parts drawing .....	27
4.2.	T30 – Spare parts list .....	28
4.3.	T80-T125 – Spare parts drawing .....	29
4.4.	T80-T125 – Spare parts list .....	30
4.5.	T225-T425 – Spare parts drawing .....	31
4.6.	T225-T425 – Spare parts list .....	32
4.7.	Stocking recommendation .....	33
4.8.	How to order parts .....	33
4.9.	Pump code .....	34
5.	DATA .....	35
5.1.	Capacity curves .....	35
5.2.	Capacity changes .....	35
5.3.	Dimensions .....	36
5.4.	Technical data .....	37
5.5.	Tightening torques .....	38
5.6.	Permitted loads on manifolds .....	38
6.	WARRANTY .....	39
6.1.	Warranty form .....	39
6.2.	Returning parts .....	40
6.3.	Warranty .....	40

# CE CERTIFICATE

---

## EC declaration of conformity

Machinery directive 2006/42/EC

Pressure equipment directive 97/23/EC, Category I

Tapflo AB declares that:

Product name: Air operated diaphragm pumps  
Models: T...

is in conformity with the essential health and safety requirements and technical construction file requirements of the EC Machinery directive 2006/42/EC,

and is in conformity with the Pressure Equipment Directive (PED) 97/23/EC Category I.

Manufactured by Tapflo Sp. z o. o., Poland for:

Tapflo AB  
Filaregatan 4  
S-442 34 Kungälv  
Sweden

Tapflo AB, January 2nd 2013



Håkan Ekstrand  
*Managing director*

# 0. GENERAL

---

## 0. GENERAL

### 0.1. Introduction

The Tapflo Air Operated Diaphragm Pump range is a complete series of pumps for industrial applications. The pumps are designed to be safe, simple and easy to use and maintain. The construction is seal-less and without rotating parts. The pumps are suitable for a variety of duties in hygienic installations.

With proper attention to maintenance, Tapflo Pumps will give efficient and trouble free operation. This instruction manual will familiarise operators with detailed information about installing, operating and maintaining of the pump.

### 0.2. Warning symbols

The following warning symbols are present in this instruction manual. This is what they say:



This symbol stands next to all safety instructions in this instruction manual where danger to life and limb may occur. Observe these instructions and proceed with utmost caution in these situations. Inform also other users of all safety instructions. In addition to the instructions in this instruction manual, the general safety and accident prevention regulations must be observed.



This signal stands at points in this instruction manual of particular importance for compliance with regulations and directives, for correct work flow and for the prevention of damage to and destruction of the complete dampener or its subassemblies.

### 0.3. Qualification and training of personnel



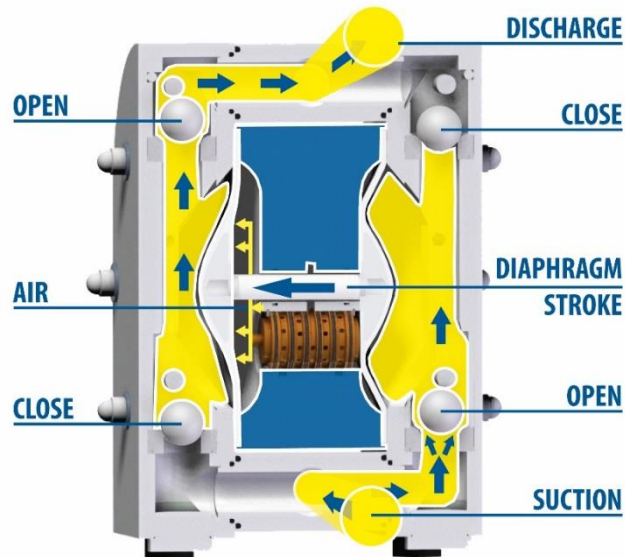
The personnel in charge of installation, operation and maintenance of the pumps we produce must be qualified to carry out the operations described in this manual. Tapflo shall not be held responsible for the training level of personnel and for the fact that they are not fully aware of the contents of this manual.

# 1. INTSTALLATION

## 1. INSTALLATION

### 1.1. Operation principle

The Tapflo diaphragm pump is driven by compressed air. The two diaphragms are connected by a diaphragm shaft and pushed back and forth by alternately pressurising the air chambers



behind the diaphragms using an automatically cycling air valve system.

The Suction Cycle:

- **Suction**  
One diaphragm creates a suction action in one chamber (on the right) when being pulled back from the housing.
- **Discharge**  
The other diaphragm simultaneously transmits the air pressure to the liquid in the second chamber (on the right) of the housing, pushing it towards the discharge port.

During each cycle the air pressure on the back of the discharging diaphragm is equal to the head pressure on the liquid side. Tapflo diaphragm pumps can therefore be operated against a closed discharge valve with no negative effect to the life of the diaphragms.

### 1.2. Receiving inspection

Although precaution is taken by us when packing and shipping, we urge you to carefully check the shipment on receipt. Make sure that all parts and accessories listed on the packing list are accounted for. Immediately report any damage or shortage to the transport company and to us.

# 1. INTSTALLATION

---

## 1.3. Storage



If the equipment is to be stored prior to installation, place it in a clean location. The pump should be stored in an ambient temperature of 15°C (59°F) to 25°C (77°F) and relative humidity below 65%. It should not be exposed to any heat source e.g. radiator, sun as this could result in a negative way on the tightness of the pump. Do not remove the protective covers from the suction, discharge and air connections which have been fastened to keep pump internals free of debris. Clean the pump thoroughly before installation.

## 1.4. Foundation



The support of the pump is furnished with mounting holes. Fix the pump on a stable foundation, which is able to absorb vibrations. It is essential for the operation of the pump to mount the pump with the feet in a downward direction (see sketch in chapter 1.8 "Example of installation").

## 1.5. Suction and discharge piping

Suction and discharge piping should be fully supported and anchored near to but independent of the pump. The piping to the pump should be a hose, to prevent undue stress and strain on the pump connections and the piping.

### 1.5.1. Connection of suction pipe

Remember that the suction pipe/connection is the most critical point, especially if the pump is priming. Just a small leakage will dramatically reduce the suction capability of the pump. When connecting the suction pipe, following is recommended.

- 1) For satisfactory operation, use reinforced hose (the suction power may otherwise shrink the hose) or other flexible piping. The internal diameter of the hose should be the same as on the suction connection (at the bottom of the pump) to have best suction capability.
- 2) Make sure that the connection hose - pump is completely tight, otherwise the suction capability will be reduced.
- 3) Always use as short suction pipe as possible. Avoid air pockets which can arise with long piping.

### 1.5.2. Connection of discharge pipe

For this connection it is only recommended a simple and positive flow connection. Use a hose or flexible piping (minimum one meter) between the discharge connection and any rigid fixed piping. Coil the hose at least one turn. All components (hose, pipe, valves etc) on the discharge piping must be designed for minimum PN 10.

# 1. INTSTALLATION

---

## 1.6. Health and safety

The pump must be installed according to local and national safety rules.



**The pumps are constructed for particular applications. Do not use the pump on applications different from that for which it was sold without consulting us to ascertain its suitability.**

### 1.6.1. Protection



In the interest of health and safety it is essential to wear protective clothing and safety goggles when operating, and/or working in the vicinity of Tapflo pumps.

### 1.6.2. Explosion hazardous environments – ATEX



The standard Sanitary series pumps are not allowed to operate in environments where there is danger of explosion. Static electricity may occur in the pump under operation, which may cause explosion and injury. Special conductive TX pumps are available for such applications. Follow below instructions and local/national rules for safe use.

ATEX (directive 94/9/EC) classification of Tapflo TX pumps:

#### **ATEX II 2 GD IIB c T4**

Equipment group: **II** – all other explosive areas than mines;  
Category group: **2** – high level of protection (can be used in zone 1);  
Atmosphere: **G** – gas;  
**D** – dust;  
Explosion group: **IIB** – such as ethylene;  
Type of protection: **c** – constructional safety;  
Temperature class: **T4** – in the event of a malfunction, the maximum temperature of a surface that may be exposed to gas **T4** = 135 °C.

#### **Earth connection of the pump and other equipment**

Connect a suitable earth wire to the stainless steel earth connection that is placed on the inside of one of the pump housings. Connect the other end of the earth wire to earth and also make sure that other equipment like hoses/pipes/containers etc. are properly earthed/connected.

### 1.6.3. Air pressure

The maximum air pressure for Tapflo pumps is 8 bar. Higher air pressure than 8 bar can damage the pump and may cause injury to personnel in vicinity of the pump. If you intend to apply a higher air pressure than 8 bar, please consult us.



# 1. INTSTALLATION

---

## 1.6.4. Noise level



At tests, the noise level from a Tapflo pump has not exceeded 80 dB(A). Under some circumstances, for example if the pump is operating under high air pressure at low discharge head, the noise can be inconvenient or hazardous for personnel staying for long periods in the vicinity of the pump. This hazard can be prevented by:

- using suitable ear protection;
- lowering the air pressure and/or raising the discharge head;
- leading out the outgoing air from the room by connecting a hose to the muffler connection of the pump;
- using elastomer valve balls (EPDM, NBR or polyurethane) instead of PTFE, ceramic or stainless steel, provided that the elastomer is compatible with the pumped liquid.

## 1.6.5. Temperature hazards



- Raised temperature can cause damage on the pump and/or piping and may also be hazardous for personnel in the vicinity of the pump/piping. Avoid quick temperature changes and do not exceed the maximum temperature specified when the pump was ordered. See also general max temperatures based on water in chapter 5 "DATA".
- When the pump is exposed to ambient temperature variations or if there is big difference between the temperature of the product and the surrounding, the tightening torques of the housing nuts should be checked periodically as part of preventive maintenance.
- If a hot product is pumped, the pump should not stand still when filled for a longer period of time. This could cause leakage from the valves and contamination and/or damage of the air valve.



- Below 0°C (32°F) plastic materials become more fragile what can cause accelerated wear of parts made of these materials. This is a hazard that has to be accepted when pumping such cold products. Also in such case, when a pump is not operational it should be drained of all liquid.
- Bear in mind that the viscosity of the product changes with temperature. This has to be taken into consideration when selecting the pump.

## 1.7. Air connection

Screw the air hose into the air intake on the centre block of the pump with for example a bayonet coupling. For best efficiency, use the same hose diameter as the internal diameter of the connection on the air intake.

### 1.7.1. Air treatment system



The air valve is constructed for oil-free air. Lubrication of the air is **not allowed**. However, if the air is **very dry** (laboratory air), the air may be lubricated with water. Maximum air pressure is 8 bar. As prevention purpose, a filtration of the air by means of a 5 micron filter or finer is recommended. Recommended air quality according to PN-ISO8573-1:2010 is particles class 6, water class 7 and oil class 4. Dirt in the air can under unfortunate circumstances be the cause of a breakdown.

To facilitate the operation of the pump we recommend an air treatment system connected to the air supply. These components should be included:

- 1) Regulator to adjust the air pressure;

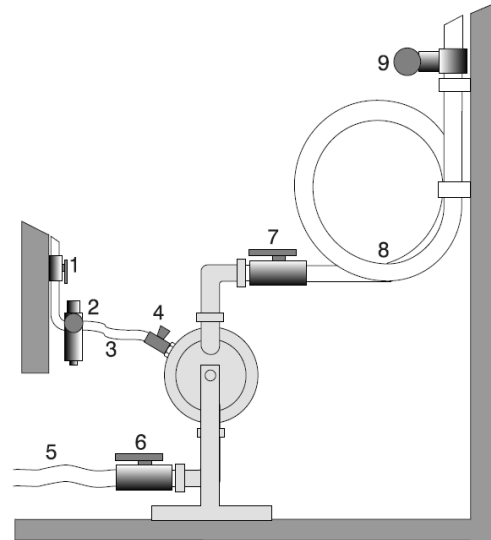
# 1. INTSTALLATION

- 2) Manometer to read the actual pressure;
- 3) Needle valve to adjust the air flow (especially when operating the pump in the lower range of performance);
- 4) Filter.

These components are included in Tapflo's **Air treatment system** which can be ordered from us.

## 1.8. Example of installation

- 1) Gate valve compressed air
- 2) Filter and pressure regulator
- 3) Flexible hose
- 4) Needle valve
- 5) Flexible piping
- 6) Gate valve suction
- 7) Gate valve discharge
- 8) Coiled flexible piping
- 9) Flow gauge



## 1.9. Recommended installations

The Tapflo pump is flexible in the way you are able to install it.

### 1.9.1. Flooded



The piping system is designed with a positive suction head. This is the best way of installation where it is necessary to completely evacuate all liquid from the container, or where viscous (thick) products are transferred.

**NOTE! Do not exceed 0,7 bar suction pressure! Higher pressure may cause premature diaphragm failure and irregular pump operation.**

### 1.9.2. Self-priming

The Tapflo pump is designed to pull a high vacuum. It is able to evacuate an empty suction pipe without any damage to the pump. The suction lift is up to 5 meters (16.4 ft.) from an empty suction pipe and up to 8 meters (26.2 ft.) from a wetted pipe. The suction capability depends on the pump size (see chapter 5 "Data").



#### **NOTE!**

Even if all above safety instructions are met and complied with, there still exists a minor danger in the event of a leakage or mechanical damage of the pump. In such case the pumped product can emerge on sealing areas and connections.

## 2. OPERATION

---

### 2. OPERATION

#### 2.1. Before starting the pump



- Make sure the pump is installed according to the installation instruction (chapter 1).
- Filling of the pump with liquid before start is not necessary.
- When installation is new or reinstalled, a test run of the pump with water should be conducted to make sure that the pump operates normally and does not leak.



- When installation is new or reinstalled, check the pump housing nuts tightening torque (see chapter 5.5 "Tightening torques"). After approximately one week of operation, the torque should be checked again. This is important to prevent possible leakage.

#### 2.2. Starting and operation

- Open the discharge valve.
- **Note! Considering the suction capacity when air is still in the suction pipe, it is recommended to start with low air pressure/flow (slowly) at the beginning. This is not necessary if the pump is filled with liquid before start.**
- When the pump has been filled with liquid, the air pressure/flow may be raised in order to increase the suction capacity of the pump.
- The performance of the pump can be adjusted through the air supply by using a needle valve and a pressure regulator. The performance can also be adjusted by normal flow control on the discharge side of the system.

##### 2.2.1. Dry running

Although the pump is prepared for dry running it is important to have in mind that long periods of dry run may cause damage to the air valve and circlips. Also an empty pump should operate at low speeds – controlled by a needle-valve.

##### 2.2.2. Optimization of the pump lifetime

- Running at full frequency (maximum air pressure/flow) continuously will cause premature wear of the components. When there is possibility of the pump running dry or/and at full frequency it is recommended to use an air valve with a PET piston. As a general rule, we recommend to run at half of the maximum capacity of the pump. For instance, a T80 pump should run continuous at maximum 40 l/min.
- As stated in chapter 1.7.1 Tapflo recommends to use an appropriate air treatment system in order to extend the pump's lifetime.
- If the air humidity is high, use of a water separator or air dryer is recommended. Otherwise on the air discharge side due to decompression, icing on the muffler can appear causing it to shrink and eventually it can shoot out of its socket.



## 2. OPERATION



- If the ambient air is humid, icing can occur outside of the muffler. In such case it is recommended to use a longer exhaust of the compressed air (ca. 500 mm / 19,7").
- If there is possibility of freezing at the air exhaust, it is good to pre-heat the air before it reaches the air intake in order to raise the dew point of the air.  
**NOTE!** Make sure that the air temperature does not exceed 50°C (122°F).
- If icing / freezing is still a problem with the standard muffler, we recommend using our heavy duty metal muffler. Contact us for more information.

### 2.3. Pump stopping

The pump can be stopped in two ways:

- 1) By closing of the discharge valve. The pressure from the system will stop the pump automatically. The pump restarts easily when the valve is opened again.  
**NOTE!** When using this method keep in mind that air must be supplied to the pump. This is essential to keep the diaphragms in balance what protects them from premature failure.
- 2) By cutting off the air supply.  
**NOTE!** When using this method make sure that the discharge valve is opened to relief the pumps pressure.

### 2.4. Cleaning of the pump

#### 2.4.1. CIP – Cleaning In Place

The importance of easy cleaning is especially great in hygienic applications. Tapflo sanitary pumps are designed for CIP (cleaning in place). This allows the pump to be internally cleaned without disassembly. The pump can be cleaned by flushing through with a CIP fluid (usually a mild solution of sodium hydroxide and a sanitizing additive) or by injection of hot steam. The CIP fluid temperature varies, but in the sanitary field, the temperature is usually about 90°C. Make sure that the CIP fluid is compatible with the materials in the pump/piping (consult us for further information).

The solution is passed through the system by either the operation of the pump itself, or by a centralized cleaning system. The CIP fluid must pass through the pump at a minimum velocity of 1.5 m/s in the normal flow direction (from inlet to outlet).



It is recommended to run the pump slowly during CIP. This is to obtain pressure balance on both sides of the diaphragm. Lack of pressure balance will have influence on the pump's lifetime. For more information please contact us.

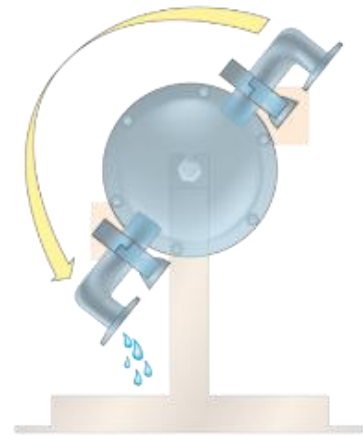
## 2. OPERATION



### 2.4.1.1. Drainage of the pump (T80 – T425)

After the CIP procedure, the pump usually has to be drained from the CIP fluid. The Tapflo sanitary series is supplied with a hygienic stand, enabling 360° rotation of the pump unit.

- 1) Disconnect the pump from the piping.
- 2) Simply loosen the two socket head cap screws (pos. 174 – see chapter 4 "SPARE PARTS"), rotate the pump 180° and let the remaining fluid drain off. The airline may be left connected during this operation.
- 3) Rotate back to normal position, connect the pump with the piping and fix the socket head cap screws (pos. 174).



# 3. MAINTENANCE

---

## 3. MAINTENANCE

### 3.1. When the pump is new or reassembled



**If the pump is new or reassembled after maintenance it is important to retighten the pump housing nuts (pos. 37) after a few days of operation.**

Make sure to use the right torque – see chapter 5.5 *"Tightening torques"*.

#### 3.1.1. Performance test

When installation is new, a test run of the pump should be conducted. Gauge the capacity at specific air pressure/flow. This information is useful for checking performance in the future as wear takes place. You will be able to set schedules for maintenance of the pump and to select spare parts to be kept on stock.

### 3.2. Routine inspection



Frequent observation of the pump operation is recommended to detect problems. A change in sound of the running pump can be an indication of wearing parts (see chapter 3.4 *"Location of faults"* below).

Leaking liquid from the pump and changes of performance may also be detected. Routine inspections should be conducted frequently.

### 3.3. Complete inspection



The intervals for a complete inspection depend upon the operation conditions of the pump. The characteristics of the liquid, temperature, materials used in the pump and running time decide how often a complete inspection is necessary.

If a problem has occurred, or if the pump is in need of a complete inspection, refer to chapters 3.4 *"Location of faults"* and 3.5, 3.7 *"Dismantling of the pump"*. You are of course warmly welcome to consult us for further help.

Parts that are subject to wear should be kept in stock, see our recommendations in chapter 4.7 *"Stocking recommendation"*.

# 3. MAINTENANCE

## 3.4. Location of faults

PROBLEM	POSSIBLE FAULT	POSSIBLE SOLUTION
<b>The pump does not run</b>	The air pressure is too low The air connection is blocked Muffler is blocked Air valve is defective Dirt in the pump chamber Diaphragm breakdown	Increase air pressure via a filter-regulator Check / clean air supply connection Check / clean / replace muffler Clean / replace complete air valve Remove debris from the chambers Replace diaphragm
<b>The suction is bad</b>	Suction connection is not tight Suction connection is blocked Muffler is blocked Valve balls are blocked or damaged Valve seats are worn Pump starts with high pressure Air in suction / discharge line Dry suction against discharge pressure	Tighten the suction line Clean suction line Check / clean / replace muffler Check dimensions and shape of valve balls Check dimensions and shape of valve seats Start the pump slowly (see chapter 2.2) Vent suction / discharge line Wet the pump / start without discharge pressure
<b>The pump runs irregular</b>	Valve balls are blocked Sealing in centre block Air valve is defective Diaphragm breakdown Valve seats are worn Icing on the muffler	Check dimensions and shape of valve balls Replace sealing Clean / replace air valve Replace diaphragm Check dimensions and shape of valve seats Improve air quality (see chapters 1.7.1 and 2.2.2)
<b>Bad flow/pressure</b>	Pressure fall in air supply Pressure losses on suction side Air supply / air valve leaking Suction or air connection blocked Muffler is blocked Valve ball worn or broken Valve seats are worn Air in liquid Diaphragm breakdown Icing on the muffler	Increase air pressure via a filter-regulator Check/change installation on suction side Check / repair / replace air supply / air valve Check / clean air supply / suction connection Check / clean / replace muffler Check dimensions and shape of valve balls Check dimensions and shape of valve seats Seal suction line; check / refill container Check / replace diaphragms Improve air quality (see chapters 1.7.1 and 2.2.2)
<b>Liquid leaks from the pump</b>	Screws on the housing not properly tightened O-rings on manifolds damaged Damaged diaphragm Tension / stress from the installation	Check tightening torques of the screws  Replace O-rings Check / replace diaphragms Adjust installation, eliminate stress, when using a dampener provide separate support for it (see dampener IOM manual).
<b>Liquid comes out of the muffler</b>	Diaphragm breakdown	Replace diaphragm
<b>Diaphragm breakdown</b>	Wrong selection of material Too high pressure in the installation Long periods of dry running Too high pressure on suction side	Contact us for information on material selection Use air treatment system for protection When dry, run pump slowly (see chapter 2.2) Make sure there is pressure balance between the air and liquid side of the diaphragm

# 3. MAINTENANCE

---

## 3.5. T30 – Disassembly of the pump

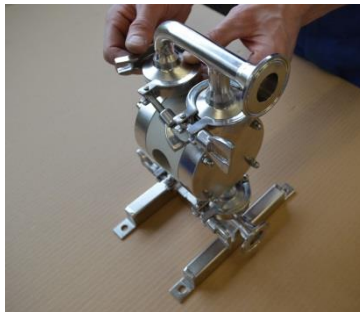
The numbers put in brackets, refer to the part numbers in the spare part drawings and spare part lists in chapter 4 "SPARE PARTS".

### 3.5.1. Before the disassembly procedure



Be sure to drain all liquid from the pump. Cleanse or neutralize the pump thoroughly. Disconnect the air supply and then the suction and discharge connections.

### 3.5.2. Disassembly procedure



**Fig. 3.5.1**

Unscrew and remove two tri-clamps [138] connecting the outlet manifold [132] to the housings [11].



**Fig. 3.5.2**

Take off the outlet manifold [132] and remove the valve balls [23] and sealing [18].



**Fig. 3.5.3**

Unscrew and remove two tri-clamps [138] connecting the inlet manifold and stand [131] to the housings [11].



**Fig. 3.5.4**

Take the centre block [12] and housing [11] assembly of the inlet manifold and stand. Remove the valve balls [23] and sealing [18].



### 3. MAINTENANCE

---



**Fig. 3.5.5**

Unscrew the domed nuts [37] and remove the housing [11] from one side of the pump.



**Fig 3.5.6**

Unscrew the diaphragm [15].



**Fig 3.5.7**

Turn the pump over, remove the domed nuts [37] and washers [38]. Take off the second housing [11].



**Fig 3.5.8**

Take out the pin screws [14] and unscrew the second diaphragm [15].



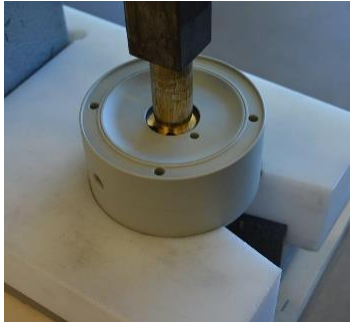
**Fig 3.5.9**

Using pliers remove both circlips [27] from the centre block [12].

**Attention!** While doing this, cover yourself with your other hand, as the circlip easily flips away

### 3. MAINTENANCE

---



**Fig 3.5.10**

Press out the air valve [61] by means of a pressing device. Be careful not to damage the brass edges of the air valve.

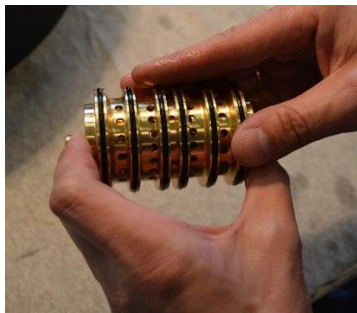
The pump is now completely disassembled. Check all components for wear or damage and replace if necessary.

When air valve is removed from the centre body check the external O-rings (6 x pos. 30) condition and replace if necessary.

#### 3.6. T30 – Assembly of the pump

The assembly procedure is done in the reverse order to the disassembly.

Nevertheless there are a few things that you have to remember in order to assemble the pump correctly.



**Fig. 3.6.1**

When putting the air valve [61] into the centre block [12], apply some water or alcohol on the O-rings to provide smooth insertion of the air valve. It is recommended to use a pressing device for this operation.

**NOTE!** When inserting the T30 size air valve, replace the shaft with a screw and a nut to make sure the air valve assembly remains properly fastened.



**Fig. 3.6.2**

When screwing in the diaphragms [15] on the shaft [16], the holes in the diaphragms must align with the holes in the centre block [12]. Sometimes it is necessary to turn the diaphragm back a little bit in order to align the holes.



**Fig. 3.6.3**

When putting in the pin screws [14] take extra care not to damage the diaphragms [15] with the pin screw thread.

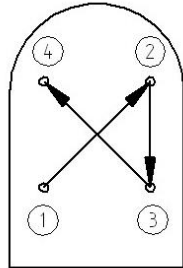
### 3. MAINTENANCE

---



**Fig. 3.6.4**

During assembly of the housings [11] make sure they are in the correct position – the inlet pipe has a valve ball stopper.



**Fig. 3.6.5**

When fastening the domed nuts, remember to do it according to the tightening procedure and with the appropriate torque.

**NOTE!** After a few weeks of operation retighten the domed nuts with the appropriate torque.



**Fig. 3.6.6**

When fastening the tri-clamps apply some FDA grade lubricate on the thread.

#### 3.6.1. Test run



We recommend you to conduct a test run of the pump before installing it in the system, so no liquid gets wasted if the pump leaks or perhaps does not start accordingly to wrong assembly of the pump.

**After a few weeks of operation retighten the nuts with appropriate torque.**

# 3. MAINTENANCE

## 3.7. T80-T425 – Disassembly of the pump

The numbers put in brackets, refer to the part numbers in the spare part drawings and spare part lists in chapter 4 "SPARE PARTS".

### 3.7.1. Before the disassembly procedure



Be sure to drain all liquid from the pump. Cleanse or neutralize the pump thoroughly. Disconnect the air supply and then the suction and discharge connections.

### 3.7.2. Disassembly procedure



**Fig. 3.7.1**

Unscrew and remove two tri-clamps [138] connecting the manifold [132] to the housings [11].



**Fig. 3.7.2**

Take off the manifold [132] and remove the valve balls [23] and sealing [18].

### 3. MAINTENANCE

---



**Fig. 3.7.3**

Unscrew and remove two tri-clamps [138] connecting the second manifold [131] to the housings [11].



**Fig. 3.7.4**

Remove the valve balls [23] and sealing [18]. Loosen the socket head cap screws [174] and take off the pump from the stand [17].



**Fig. 3.7.5**

Unscrew the domed nuts [37] and remove the housing [11] from one side of the pump.



**Fig. 3.7.6**

Turn the pump over, remove the domed nuts [37] and washers [38]. Take off the second housing [11].



**Fig. 3.7.7**

Unscrew the diaphragm [15] from one side of the pump.

### 3. MAINTENANCE

---



**Fig. 3.7.8**

Take out the second diaphragm [15] along with the shaft [16].

#### a) Circlip mounted air valve – T/TX80, T125



**Fig. 3.7.9**

Using pliers remove both circlips [27] from the centre block [12].

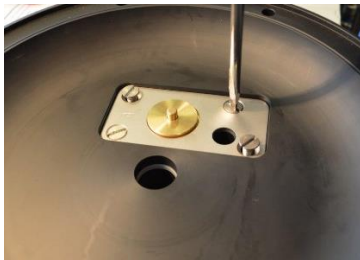
**Attention!** While doing this, cover yourself with your other hand, as the circlip easily flips away



**Fig. 3.7.10**

Press out the air valve [61] by means of a pressing device. Be careful not to damage the brass edges of the air valve.

#### b) Plate mounted air valve – TX125 from s/n 0907-..., T/TX225, T/TX425



**Fig. 3.7.11**

Unscrew plate screws [2711] from both sides of the centre body [12] and take out the left and right plate [271].



**Fig. 3.7.12**

Press out the air valve [61] by means of a pressing device. Be careful not to damage the brass edges of the air valve.



### 3. MAINTENANCE

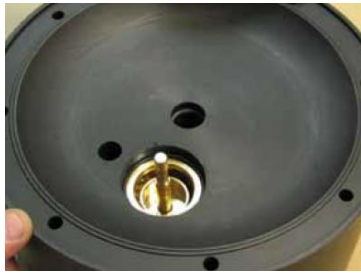
---

- c) Threaded air valve – T225 from s/n 0803-... until 1105-... and T425 from s/n 0801-... until 1105-...



**Fig. 3.7.13**

Carefully unscrew both air valve end caps by means of a mounting tool.



**Fig. 3.7.14**

Push out by hand the air valve shaft and piston.



**Fig. 3.7.15**

To push out the cylinder, use the other side of the mounting tool. Use a pressing device to remove the air valve cylinder from the centre body.

The pump is now completely disassembled. Check all components for wear or damage and replace if necessary.

When air valve is removed from the centre body check the external O-rings (6 x pos. 30) condition and replace if necessary.

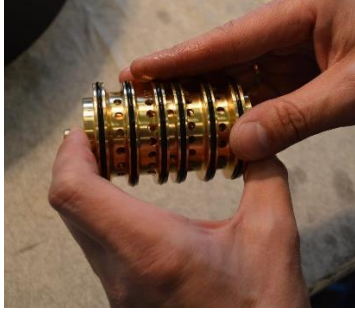
### 3.8. T80-T425 – assembly of the pump

The assembly procedure is done in the reverse order to the disassembly.

Nevertheless there are a few things that you have to remember in order to assemble the pump correctly.



# 3. MAINTENANCE



**Fig. 3.8.1**

When putting the air valve [61] into the centre block [12], apply some water or alcohol on the O-rings to provide smooth insertion of the air valve.

It is recommended to use a pressing device for this operation.



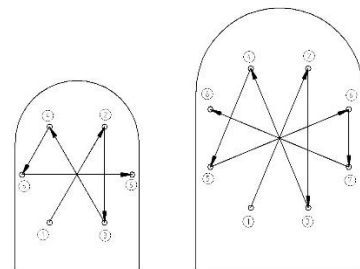
**Fig. 3.8.2**

When there is need to replace the diaphragm pin screw [1652], while screwing it into the diaphragm [15] make sure the pin screw goes all the way.



**Fig. 3.8.3**

When screwing in the diaphragms [15] on the shaft [16], the holes in the diaphragms must align with the holes in the centre block [12]. Sometimes it is necessary to turn the diaphragm back a little bit in order to align the holes.



**Fig. 3.8.4**

When fastening the domed nuts, remember to do it according to the tightening procedure and with the appropriate torque.

**NOTE!** After a few weeks of operation retighten the domed nuts with the appropriate torque.



**Fig. 3.8.5**

When fastening the tri-clamps apply some FDA grade lubricate on the thread.

## 3.8.1. Test run



We recommend you to conduct a test run of the pump before installing it in the system, so no liquid gets wasted if the pump leaks or perhaps does not start accordingly to wrong assembly of the pump.

**After a few weeks of operation retighten the nuts with appropriate torque.**



# 3. MAINTENANCE

## 3.9. Valve options

In **T225** and **T425** pump sizes flap valves or heavy duty valve cups are available as an option instead of standard valves.

### 3.9.1. Flap valves

It is a great option when the product we intend to pump has high viscosity, contains big solids or solids that can be damaged by valve balls (e.g. fruits).

Mounted with clamps they provide easy maintenance and cleaning.

Flap valves made in AISI 316 are mounted in special flap valve cup with clamps between housing and manifold. Pump with flap valves differ from standard pump by valve type, manifolds (pos. 131, 132) and pump housing (pos.11).



**IMPORTANT!**

Flap valves are not appropriate for pumping water-like products. If a liquid has low viscosity, the valve will open and close very fast with no shock absorption that is provided by viscous products. Also dry running of the pump for longer periods will cause rapid valve wear and eventually pump stopping.

**Additional / different parts:**



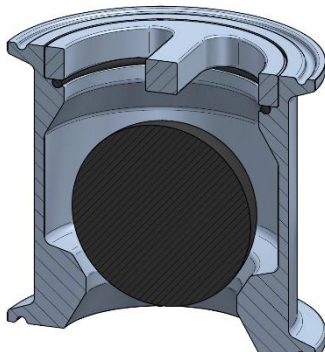
Art. no	Q-ty	Description
6-xxx-24H	4	Flap valve complete (241H+242H)
6-xxx-241H	4	Flap valve seat
6-xxx-242H	4	Flap
6-xxx-18H	8	Gasket
6-xxx-131H	1	Manifold inlet for flap valves
6-xxx-132H	1	Manifold outlet for flap valve
6-xxx-11H	2	Pump housing - flap valves
6-xxx-138	8	Tri-clamp

### 3.9.2. Ball cup valves

This option is a perfect solution when there is risk of damage to the valve seats from the product. If such situation is to occur there is no need to replace the whole manifolds or housings, just the valve cup what drastically reduces the spare parts cost.

Just like the flap valve it is made of AISI 316 stainless steel and is mounted between the housing and manifold with clamps. In the same way the manifolds (pos.131 and 132), pump housing (pos.11) and pump stand (pos. 17) has to be changed in comparison to a standard sanitary pump.

**Additional / different parts:**



Art. no	Q-ty	Description
6-xxx-24B	4	Ball valve cup
6-xxx-131C	2	Manifold for ball cup valves
6-xxx-11C	2	Pump housing – ball cup valves
6-xxx-18F	8	3-clamp seal
6-xxx-1381	4	3-clamps
6-xxx-22B	4	Valve ball stop
6-xxx-182	4	O-ring
6-xxx-17C	1	Pump Stand

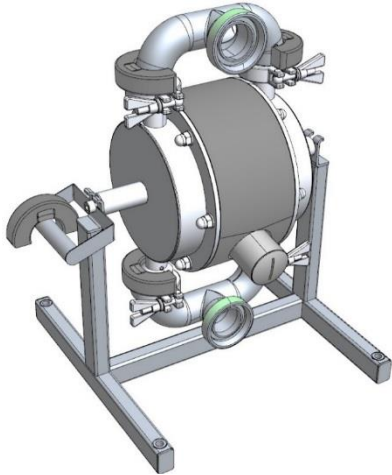
## 3. MAINTENANCE

### 3.10. Magnetic ball lifters

New magnetic ball lifters have been implemented in pump sizes T125 – T425. They are implemented to enable pump emptying when no other draining option is available. Rotating the pump is no longer needed.

The balls are lifted by simply attaching the magnets to the pumps manifold.

Valve balls are available in AISI 420 magnetic stainless steel or PTFE with steel core.



#### Additional / different parts:

Art. no	Q-ty	Description
6-xxx-23-15	4	Valve ball – PTFE/steel core
6-xxx-23-59	4	Valve ball - AISI420
6-xxx-95M	4	Magnetic ball lifter
6-xxx-170	1	Magnet holder

#### Pump emptying procedure:

- Install the magnets on the pump manifolds in the area of the valve seat.
- Run the pump slowly.
- After a few cycles the pump will start to run dry.
- Turn off the pump.
- Take off the magnets off the manifolds.

#### CIP and SIP cleaning procedure recommendation:

During cleaning procedures do not use magnetic ball lifters. When the ball is pulled by the lifter and facing the manifold wall it may trap some liquid to stay inside.

**NOTE!** Remember to run the pump slowly during cleaning procedures to ensure the diaphragms are balanced on air and liquid side.

#### **NOTE!**

The ball lifting system is built with high intensity NdFeB magnets therefore all pacemaker carriers must not approach the ball lifting system components! Intense magnetic field can disturb heart pace. What is more, all devices that can be damaged due to intense magnetic field must not be placed in the vicinity of the ball lifters.

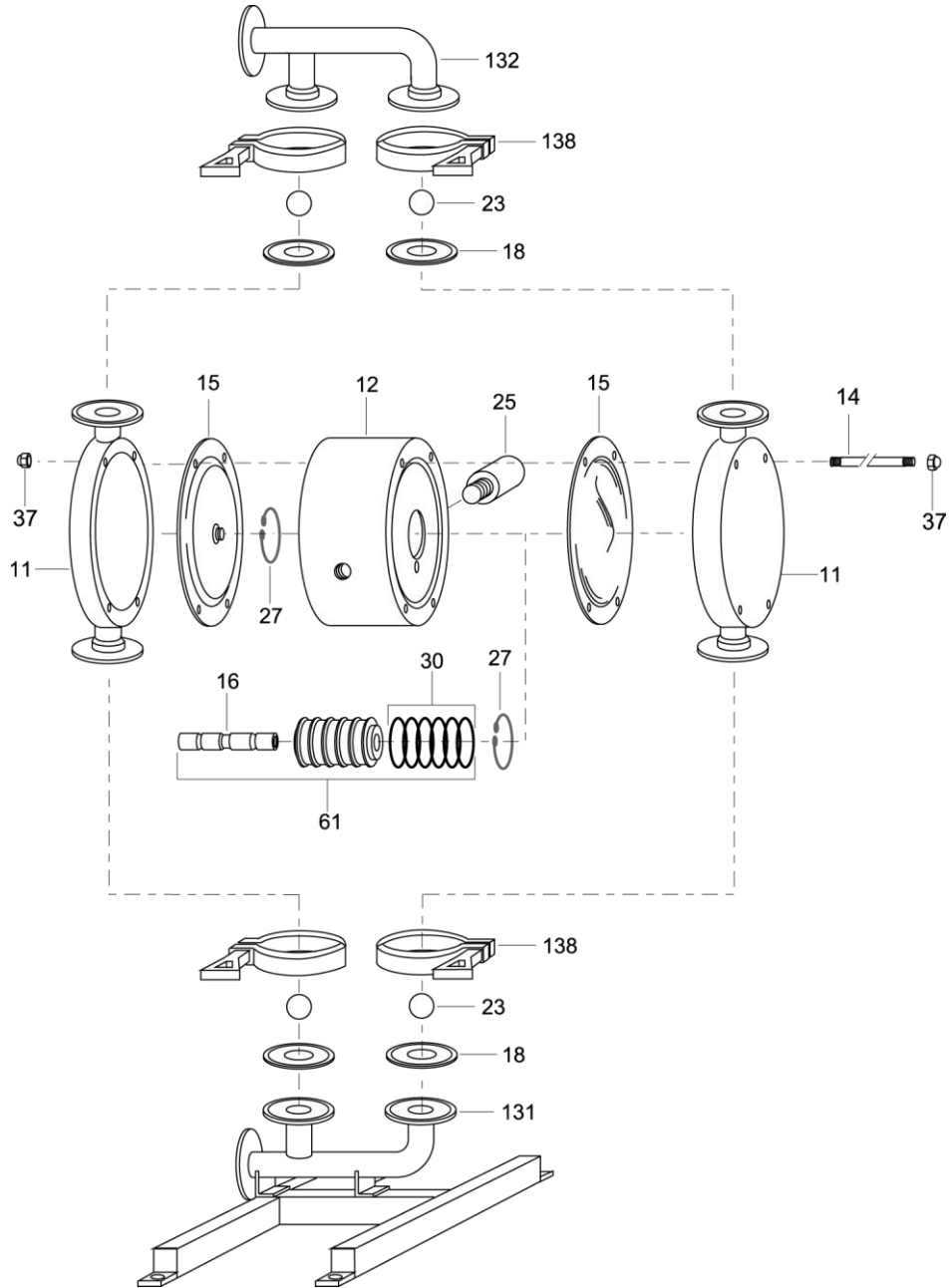


It is important not to join the magnets as it might be difficult to separate them from each other. Furthermore, the magnets are fragile and when connected can crumble.

# 4. SPARE PARTS

## 4. SPARE PARTS

### 4.1. T30 – Spare parts drawing



## 4. SPARE PARTS

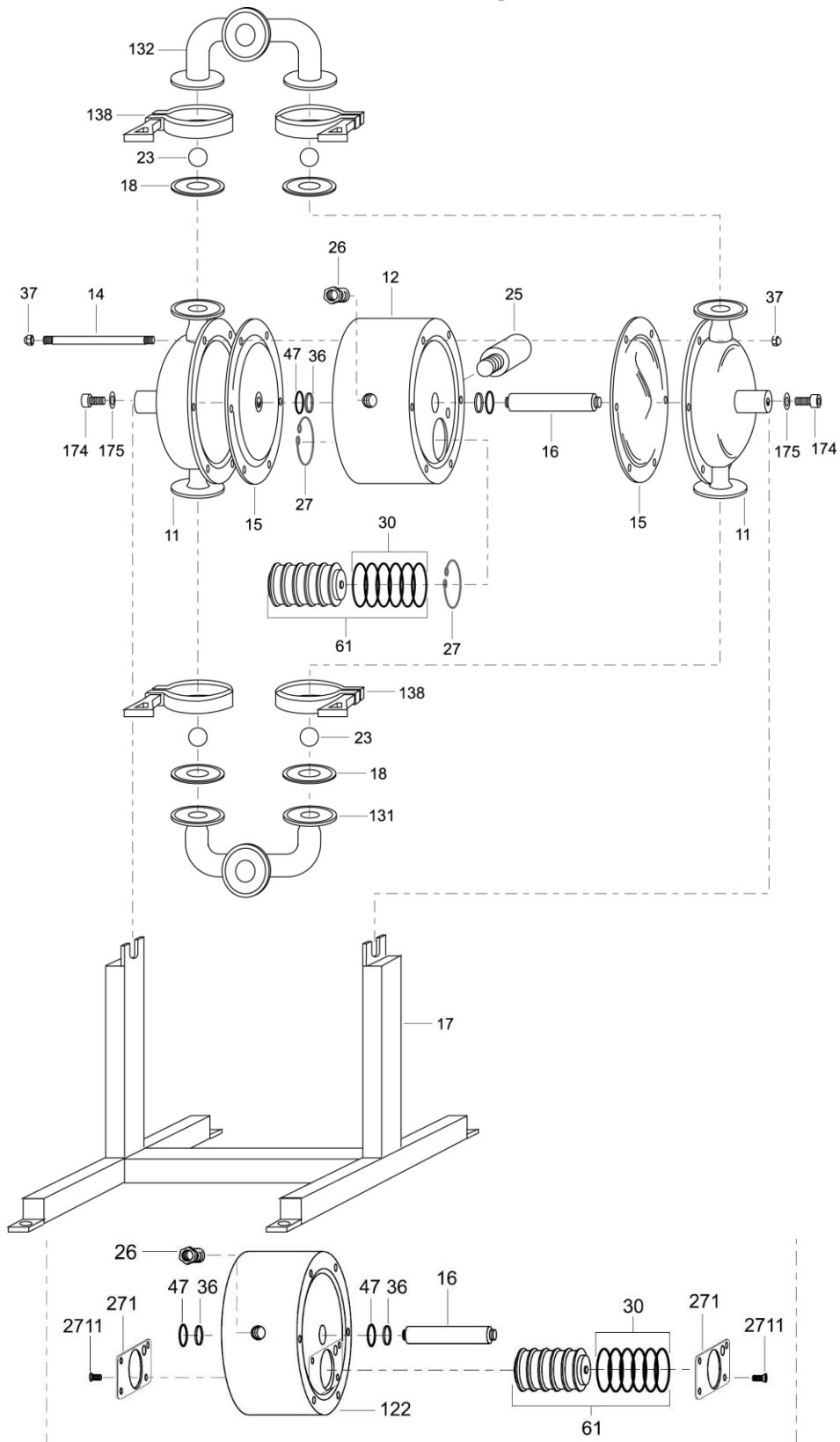
---

### 4.2. T30 – Spare parts list

Pos.	Q-ty	Description	Material	KIT LIQ	KIT AIR
11	2	Housing	AISI 316		
12	1	Centre block	PP, Conductive PP		
131	1	Manifold inlet and stand	AISI 316		
132	1	Manifold outlet	AISI 316		
138	4	3-clamp	AISI 316		
14	4	Pin screw	AISI 316		
142	8	Washer	AISI 316		
15	2	Diaphragm	EPDM, PTFE, NBR, PTFE/White EPDM, white EPDM	x	
16	1	Diaphragm shaft	AISI 316		
18	4	Sealing	EPDM, PTFE	x	x
23	4	Valve ball	PTFE, AISI 316, EPDM, NBR, Polyurethane	x	
25	1	Muffler	PP		x
27	2	Circlip	Cr3 coated steel		
30	6	O-ring	NBR, FKM, EPDM		
37	8	Nut	AISI 316		
61	1	Air valve complete	AISI 316/FKM, Brass/NBR, Brass/EPDM, AISI 316/FKM, PET/FKM		x

# 4. SPARE PARTS

## 4.3. T80-T125 – Spare parts drawing



## 4. SPARE PARTS

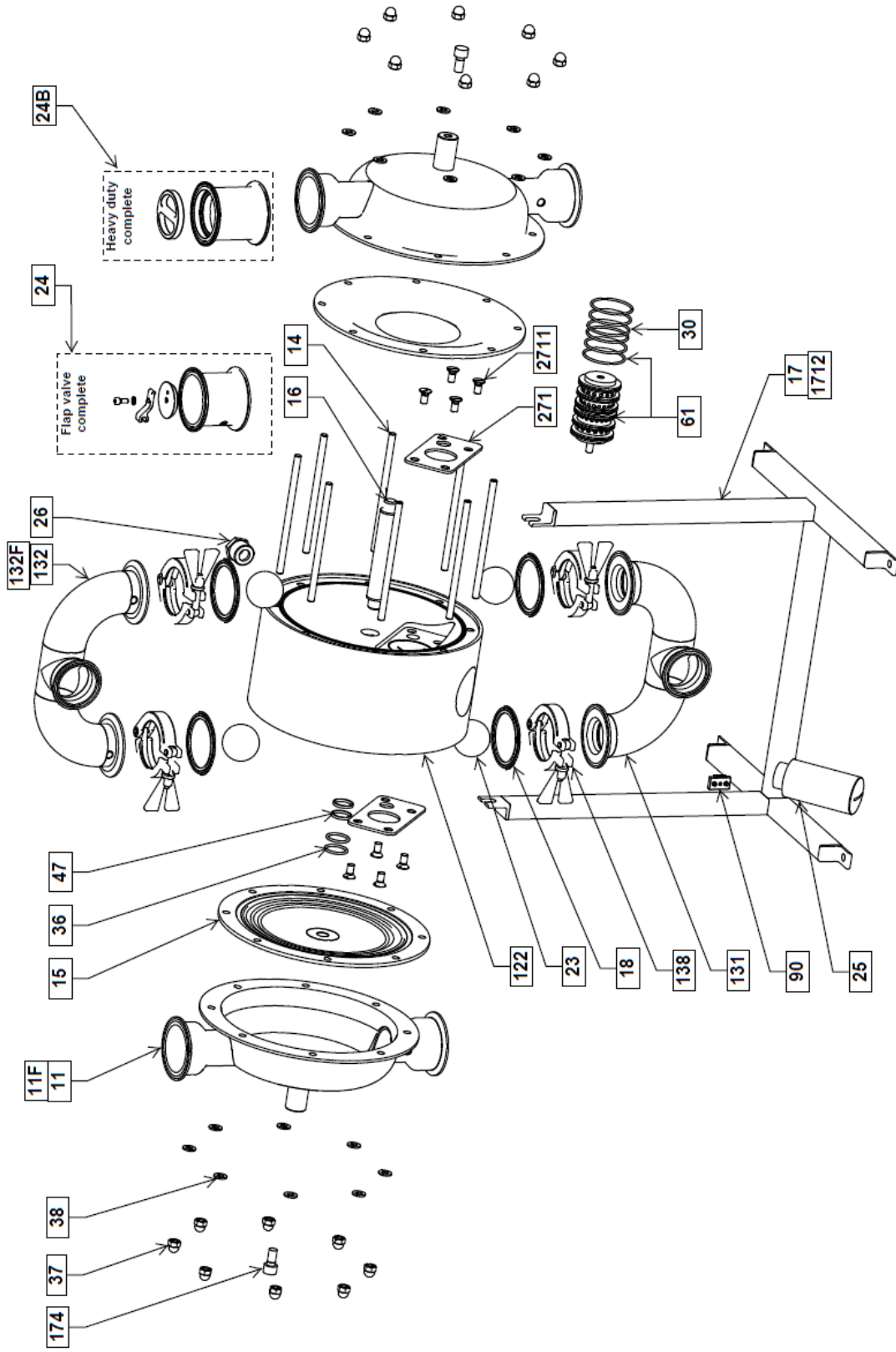
### 4.4. T80-T125 – Spare parts list

Pos.	Q-ty	Description	Material	KIT LIQ	KIT AIR
11	2	Housing	AISI 316		
12	1	Centre block	PP Conductive*		
131	1	Manifold inlet TC 1 1/2"	AISI 316		
132	1	Manifold outlet TC 1 1/2"	AISI 316		
138	4	3-clamp	AISI 316		
14	6	Pin screw	AISI 316		
15	2	Diaphragm	EPDM, PTFE, NBR, PTFE/White EPDM, white EPDM	<b>x</b>	
16	1	Diaphragm shaft	AISI 316		<b>x</b>
17	1	Support	AISI 304		
174	2	Socket head cap screw	AISI 316		
175	2	Washer	AISI 316		
18	4	Sealing	EPDM, PTFE	<b>x</b>	<b>x</b>
23	4	Valve ball	PTFE, PTFE 1635, AISI 316, EPDM, NBR, Polyurethane	<b>x</b>	
25	1	Muffler	PP		<b>x</b>
26	1	Air intake adapter	Brass		
27	2	Circlip	Cr3 coated steel		
30	6	O-ring	NBR, FKM, EPDM		
36	2	Centre block seal	PE		<b>x</b>
37	12	Nut	AISI 316		
38	12	Washer	AISI 316		
47	2/4*	O-ring (back up for 36)	NBR		<b>x</b>
61	1	Air valve complete	AISI 316/FKM, Brass/NBR, Brass/EPDM, AISI 316/FKM, PET/FKM		<b>x</b>
<b>Plate mounted air valve (standard on TX125 pumps from s/n 0907-...), not available for T/TX80</b>					
122	1	Centre block	PP or conductive PP		
271	1	Set of two plates (left and right)	AISI 316		
2711	8	Screw	AISI 316		

\* T125 only

# 4. SPARE PARTS

## 4.5. T225-T425 – Spare parts drawing



## 4. SPARE PARTS

### 4.6. T225-T425 – Spare parts list

Pos.	Q-ty	Description	Material	KIT LIQ	KIT AIR
11	2	Housing	AISI 316		
122	1	Centre block	PP Conductive		
131	1	Manifold inlet	AISI 316		
132	1	Manifold outlet	AISI 316		
138	4/8*	3-clamp	AISI 316		
14	8	Pin screw	AISI 316		
15	2	Diaphragm	EPDM, PTFE, NBR, PTFE/White EPDM, white EPDM	x	
16	1	Diaphragm shaft	AISI 316		x
17	1	Support	AISI 304		
174	2	Socket head cap screw	AISI 316		
18	4/8*	Sealing	EPDM, PTFE	x	x
23	4	Valve ball	PTFE, PTFE 1635, AISI 316, EPDM, NBR, Polyurethane	x	
25	1	Muffler	PP		x
26	1	Air intake adapter	Brass		
271	1	Set 2 x plates (left and right)	AISI 316		
2711	8	Screw	AISI 316		
30	6	O-ring	NBR, FKM, EPDM		
36	2	Centre block seal	PE		x
37	16	Nut	AISI 316		
38	16	Washer	AISI 316		
47	2	O-ring (back up for 36)	NBR		x
61	1	Air valve complete	AISI 316/FKM, Brass/NBR, Brass/EPDM, AISI 316/FKM, PET/FKM		x
90	1	Grounding set	AISI 316		
<b>Flap valve version</b>					
11F	2	Housing	AISI 316		
131F	1	Manifold(flap valve version)	AISI 316		
1712	1	Support	AISI 304		
24	4	Flap valve complete	AISI 316		
241	1	Flap valve cup	AISI 316		
242	1	Flap valve assembly	AISI 316		
<b>Ball cup valve version</b>					
11C	2	Housing	AISI 316		
131C	1	Manifold(cup valve version)	AISI 316		
17C	1	Support	AISI 304		
24C	4	Cup valve	AISI 316		

\* Flap valve version

\*\* T225 from s/n 0803-... until 1105-... and T425 from s/n 0801-... until 1105-...



## 4. SPARE PARTS

---

### 4.7. Stocking recommendation

Even at normal operation some details in the pump will be worn. In order to avoid expensive breakdowns we recommend having a few spare parts in stock.

Depending on the severity of the operation and the importance of assuring continuous work we offer two different spare part **KITS** – **KIT LIQ** includes parts on pump wetted side and **KIT AIR** includes parts on the pump air side that are subject to wear.

**T30, T80, T125, T225, T425:**

	Pos.	Description	Q-ty
KIT LIQ	15	Diaphragm	2
	18	Sealing	4
	23	Valve ball	4

**T30:**

	Pos.	Description	Q-ty
KIT AIR	18	O-ring/gasket set	4
	61	Air valve complete	1
	25	Muffler	1

**T80, T125, T225, T425:**

	Pos.	Description	Q-ty
KIT AIR	18	O-ring/gasket set	4
	61	Air valve complete	1
	16	Diaphragm shaft	1
	36	Centre block seal	2
	47	O-ring(back up for 36)	2/4*
	25	Muffler	1

\* For T125 pump

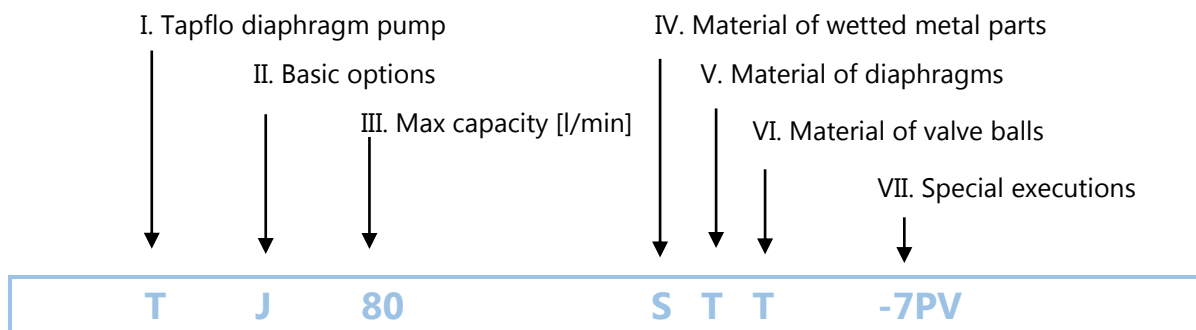
### 4.8. How to order parts

When ordering spare parts for Tapflo pumps, please let us know what is the **model number** and **serial number** from the pump centre body. Then just indicate the part numbers from the spare parts list and quantity of each item.

# 4. SPARE PARTS

## 4.9. Pump code

The model number on the pump and on the front page of this instruction manual tells the pump size and materials of the pump.



I. T = Tapflo diaphragm pump

II. Basic options:

B = Backup diaphragm pump

F = Filter-press pump

J = Heating jacket

X = ATEX approved, group II, cat. 2

IV. Material of wetted metal parts:

S = stainless steel AISI 316L

V. Material of diaphragms:

E = EPDM

W = White (food grade) EPDM

N = NBR (nitrile rubber)

T = PTFE

Z = PTFE with white back (food grade)

B = PTFE TFM 1705b

VI. Material of valve balls:

E = EPDM

N = NBR (nitrile rubber)

T = PTFE

S = AISI 316 stainless steel

P = PU (polyurethane)

K = Ceramic

B = PTFE TFM 1635

blank = flap valve version

VII. Special executions:

1 = Optional in/outlet

3 = Optional connection type

4 = Backup diaphragm system configuration

5 = Other special executions

6 = Optional material of centre body

7 = Optional material of air valve

8 = Optional material of pos. 18 seals

9 = Optional material of housing pin screws

14 = Optional pump feet

15 = Flap valve execution

16 = Optional clamp type

# 5. DATA

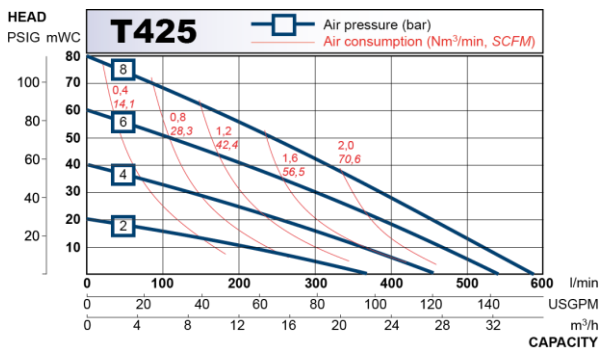
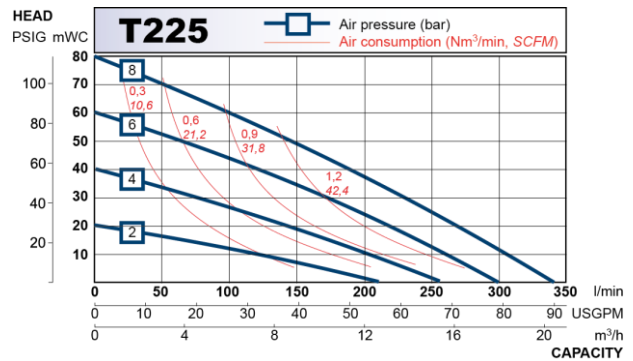
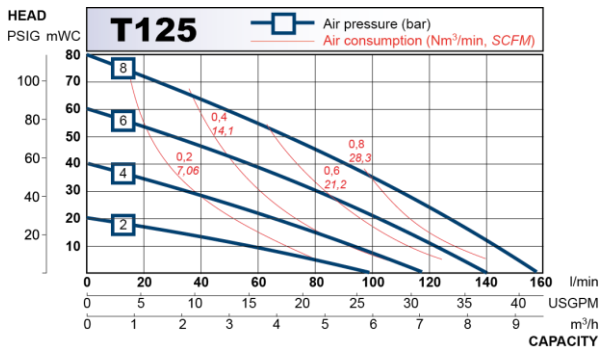
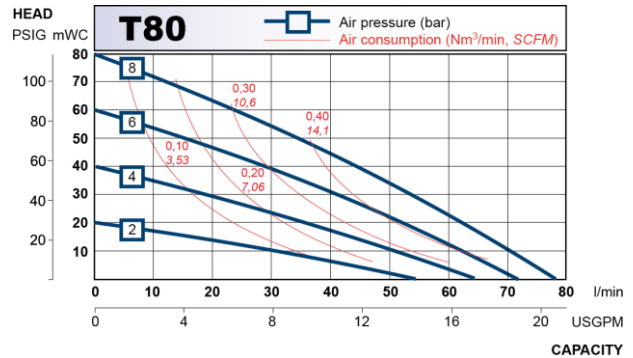
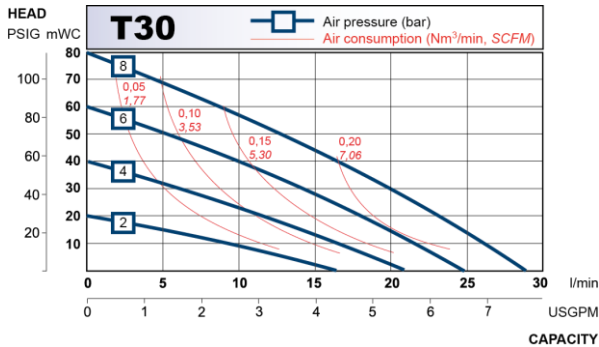
## 5. DATA

### 5.1. Capacity curves

The performance curves are based on water at 20°C. Other circumstances might change the performance. See below how the capacity will change at different viscosities and suction lifts.

Example (see the red line below):

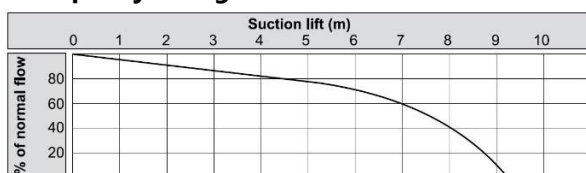
A flow of 30 litre/minute is desired. The discharge pressure is calculated to 25 mWC. We choose a T80 pump. It requires an air pressure of 4 bar and will consume approximately 0.20 Nm<sup>3</sup> of air per minute.



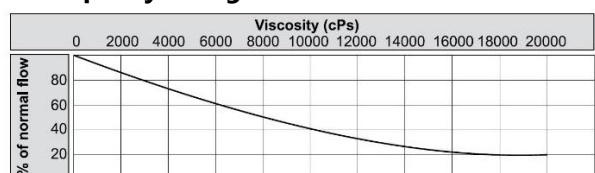
Recommended flow is half of the max flow, e.g. recommended flow for a T80 is 40 l/min.

### 5.2. Capacity changes

Capacity changes at different suction lifts



Capacity changes at different viscosities



# 5. DATA

## 5.3. Dimensions

Dimensions in mm (where other is not indicated)

Dimensions in inch (where other is not indicated)

General dimensions only, ask us for detailed drawings. Changes reserved without notice.

Dimension	PUMP SIZE					
	T30	T80	T125	T225	T425	
A	168	303	328	412	476	
	6.6	11.9	12.9	16.2	18.7	
B	153	295	320	404	468	
	6	11.6	12.6	15.9	18.4	
D	313	393	458	644.5 / 790.5**	808 / 828**	
	12.3	15.5	18	25.4 / 31.1	31.8 / 32.6	
E	240	294	350	524 / 668**	664 / 784**	
	9.4	11.6	13.8	20.6 / 26.3	26.1 / 30.9	
G	33	36	43.5	50.5	80	
	1.3	1.4	1.7	2.0	3.1	
H	30	30	30	30	30	
	1.2	1.2	1.2	1.2	1.2	
I	48	74.5	82.5	88.5	98.5	
	1.9	2.9	3.2	3.4	3.9	
J	TC <sup>1</sup>	25	25	38	51	70
	DIN <sup>2</sup>	DN25	DN25	DN40	DN50	DN65
	SMS <sup>3</sup>	1"	1"	1 ½"	2"	2 ½"
	RJT	3/4"	1"	1 1/2"	2"	3"
K	9	9	9	9	9	
	0.4	0.4	0.4	0.4	0.4	
M*	50.5	50.5	50.5	64	91	
	2.0	2.0	2.0	2.5	3.6	
N*	22.6	22.6	35.6	49	66	
	0.9	0.9	1.4	1.9	2.6	
X	125	275	300	384	448	
	4.9	10.8	11.8	15.1	17.6	

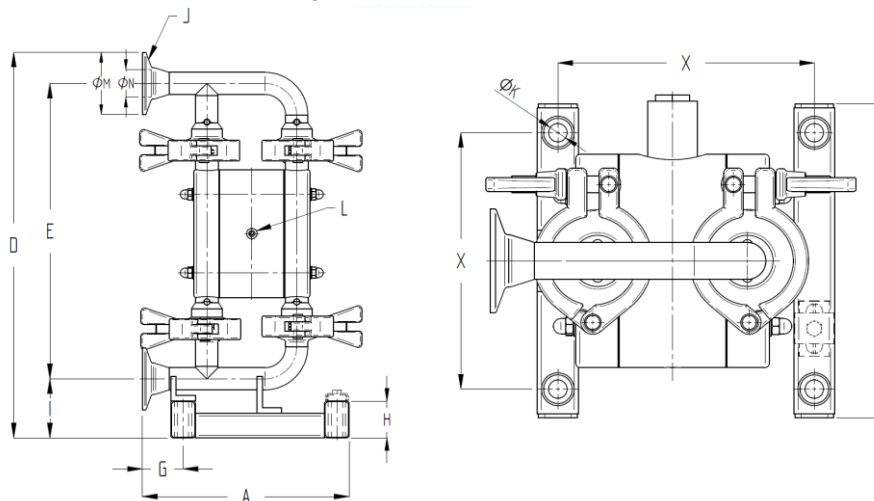
\* = Dimensions for standard clamp connections only

\*\* = Dimensions with flap valves and heavy duty valve cup version

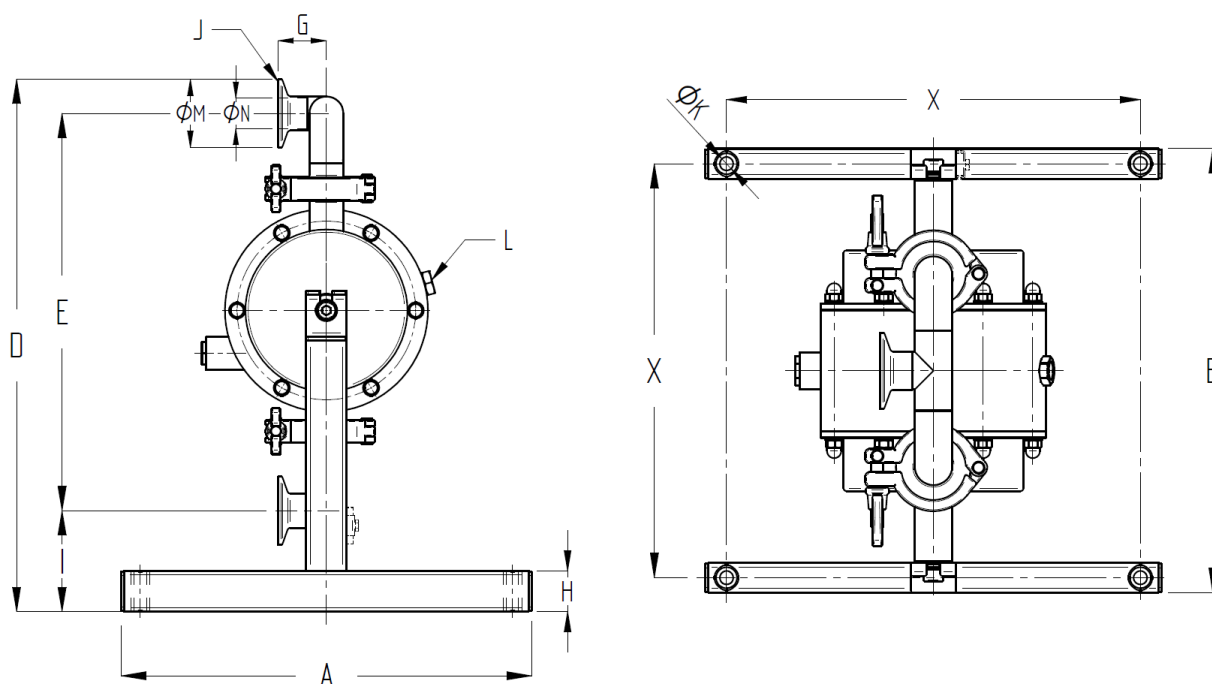
1 = Clamp connections/pipes according to ISO 2852/2037 (Nominal size)

2 = Threaded connections according to DIN 11851

3 = Threaded connections according to SMS 1145



## 5. DATA



### 5.4. Technical data

TECHNICAL DATA	PUMP SIZE				
	T30	T80	T125	T225	T425
Max capacity [l/min] / [US GPM]	30 / 7.9	80 / 21	125 / 33	225 / 59	425 / 112
Volume per stroke* [ml] / [cu in]	70 / 4.3	140 / 8.5	300 / 18.3	700 / 42.7	2600 / 158
Max discharge pressure [bar] / [psi]	8 / 116	8 / 116	8 / 116	8 / 116	8 / 116
Max air pressure [bar] / [psi]	8 / 116	8 / 116	8 / 116	8 / 116	8 / 116
Max suction lift dry** [m] / [Ft]	2 / 6.6	3 / 9.8	4 / 13	5 / 16	5 / 16
Max suction lift wet [m] / [Ft]	8 / 26	8 / 26	9 / 29.5	9 / 29.5	9 / 29.5
Max size of solids $\varnothing$ in [mm] / [in]	3 / 0.12	4 / 0.16	6 / 0.24	10 / 0.39 38 / 1.5***	15 / 0.59 48 / 1.9***
Max temp. with EPDM/NBR [°C] / [°F]	80 / 176	80 / 176	80 / 176	80 / 176	80 / 176
Max temp. with PTFE [°C] / [°F]	110 / 230	110 / 230	110 / 230	110 / 230	110 / 230
Weight [kg] / [lb]	4 / 9	8 / 18	11 / 24	21 / 46	35 / 77

\* = Based on pumps with EPDM diaphragms. Pumps with PTFE diaphragms have about 15% less volume.

\*\* = With stainless steel valve balls, other materials may reduce suction. Please consult us in this matter.

\*\*\* = Flap valve version.

COMPONENT	MATERIAL
Wetted metal details	Stainless steel AISI 316L
Centre block (not wetted)	PP, PP conductive
Diaphragms	PTFE, PTFE with white back, EPDM, white EPDM, NBR
Valve balls	PTFE, EPDM, NBR, AISI 316, PU, Ceramic
Air valve	Brass (std.), stainless steel AISI 316L or PET with NBR (std.), EPDM or FKM O-rings
Sealing (wetted)	PTFE or EPDM
Housing pin screws	Stainless steel AISI 316
Diaphragm shaft	Stainless steel AISI 316

# 5. DATA

## 5.5. Tightening torques

The following tightening torques are recommended.

PUMP SIZE	MOUNTING TORQUE [Nm]
T30	5.5
T80	8
T125	16
T225	20
T425	23

## 5.6. Permitted loads on manifolds

We recommend not to exceed the following loads and forces reacting on the manifolds.

T30		
Direction	Load [N] (inlet/outlet)	Moment of force (inlet/outlet) [Nm]
X	16,2	3,4
Y	16,2	3,4
Z	16,2	3,4

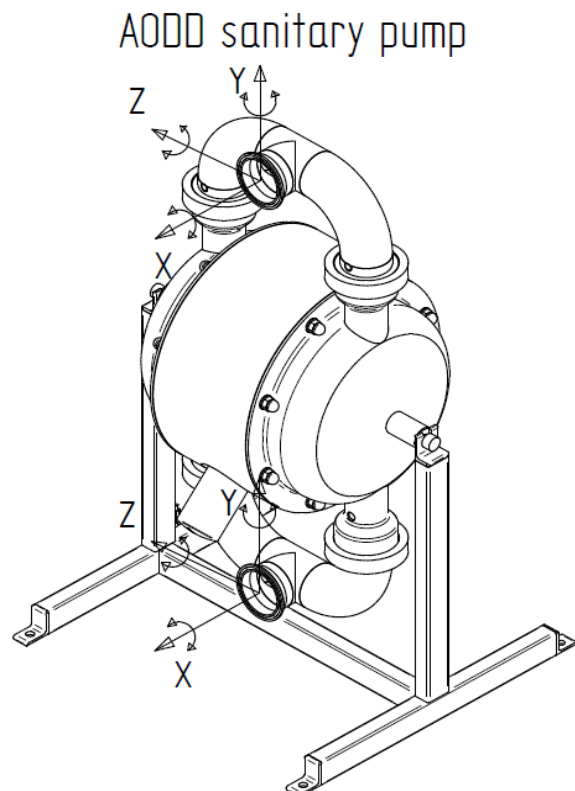
T825		
Direction	Load [N] (inlet/outlet)	Moment of force (inlet/outlet) [Nm]
X	93	13,2
Y	93	13,2
Z	93	13,2

T80		
Direction	Load [N] (inlet/outlet)	Moment of force (inlet/outlet) [Nm]
X	31	6,3
Y	31	6,3
Z	31	6,3

T125		
Direction	Load [N] (inlet/outlet)	Moment of force (inlet/outlet) [Nm]
X	35	7,3
Y	35	7,3
Z	35	7,3

T225		
Direction	Load [N] (inlet/outlet)	Moment of force (inlet/outlet) [Nm]
X	43	8,8
Y	43	8,8
Z	43	8,8

T425		
Direction	Load [N] (inlet/outlet)	Moment of force (inlet/outlet) [Nm]
X	56	11,5
Y	56	11,5
Z	56	11,5



# 6. WARRANTY

## 6. WARRANTY

### 6.1. Warranty form

Company:	_____
Telephone:	_____ Fax: _____
Address:	_____
Country:	_____ Contact Name: _____
E-mail:	_____
Delivery Date:	_____ Date of pump installation: _____
Pump type:	_____
Serial No (see name plate or stamped on pump housing):	_____
Description of the fault:	_____ _____ _____
<b>The installation:</b>	
Liquid:	_____
Temperature [°C]: _____	Viscosity [cPs]: _____ Spec grav. [kg/m <sup>3</sup> ]: _____ pH-value: _____
Content of particles: _____	% of max size [mm]: _____
Flow [l/min]: _____	Duty [h/day]: _____ No of starts per day: _____
Discharge head [mWC]: _____	Suction head / lift [m]: _____
Air pressure [bar]: _____	Quality of the air (filter, micron, lubrication): _____
Other:	_____ _____
<b>Place for sketch of installation:</b>	

# 6. WARRANTY

---

## 6.2. Returning parts

When returning parts to Tapflo please follow this procedure:

- Consult Tapflo for shipping instructions.
- Cleanse or neutralize and rinse the part/pump. Make sure the part/pump is completely empty from liquid.
- Pack the return articles carefully to prevent any damage during transportation.

***Goods will not be accepted unless the above procedure has been complied with.***

## 6.3. Warranty

Tapflo warrants products under conditions as stated below for a period of not more than 5 years from installation and not more than 6 years from date of manufacturing.

1. The following terms and conditions apply to the sale of machinery, components and related services and products, of Tapflo (hereinafter "the products").
2. Tapflo (the manufacturer) warrants that:
  - a. its products are free of defects in material, design and workmanship at the time of original purchase;
  - b. its products will function in accordance with Tapflo operative manuals; Tapflo does not guarantee that the product will meet the precise needs of the Customer, except for those purposes set out in any invitation to render documents or other documents specifically made available to Tapflo before entering into this agreement;
  - c. high quality materials are used in the construction of the pumps and that machining and assembly are carried out to the highest standards.

Except as expressly stated above, Tapflo makes no warranties, express or implied, concerning the products, including all warranties of fitness for a particular purpose.

3. This warranty shall not be applicable in circumstances other than defects in material, design, and workmanship. In particular warranty shall not cover the following:
  - a. Periodic checks, maintenance, repair and replacement of parts due to normal wear and tear (seals, O-rings, rubber items, diaphragms, air valves etc.);
  - b. Damage to the product resulting from:
    - b.1. Tampering with, abuse or misuse, including but not limited to failure to use the product for its normal purposes as stated at the time of purchase or in accordance with Tapflo instructions for use and maintenance of the product, or the installation or improper ventilation or use of the product in a manner inconsistent with the technical or safety standard in force;
    - b.2. Repairs performed by non-skilled personnel or use of non-original Tapflo parts;



## 6. WARRANTY

---

b.3. Accidents or any cause beyond the control of Tapflo, including but not limited to lightning, water, fire, earthquake, and public disturbances, etc.;

4. The warrantee shall cover the replacement or repairing of any parts, which is documented faulty due to construction or assembling, with new or repaired parts free of charges delivered by Tapflo. Parts subjected to normal tear and wear shall not be covered by the warranty. Tapflo shall decide as to whether the defective or faulty part shall be replaced or repaired.
5. The warrantee of the products shall be valid for a period in accordance to the current law from the date of delivery, under the condition that notice of the alleged defect to the products or parts thereof be given to Tapflo in written within the mandatory term of 8 days from the discovery. Repair or replacement under the terms of this warranty shall not give a right to an extension to, or a new commencement of, the period of warranty.
6. Repair or replacement under the terms of this warranty shall not give a right to an extension to, or a new commencement of, the period of warranty. Repair or replacement under the terms of this warranty may be fulfilled with functionally equivalent reconditioned units. Tapflo qualified personnel shall be solely entitled to carry out repair or replacement of faulty parts after careful examination of the pump. Replaced faulty parts or components will become the property of Tapflo.
7. The products are built in accordance with standard CE normative and are tested (where applicable) by Tapflo. Approval and tests by other control authority are for the customer's account. The products shall not be considered defective in materials, design or workmanship if they need to be adapted, changed or adjusted to conform to national or local technical or safety standards in force in any country other than that for which the unit was originally designed and manufactured. This warranty shall not reimburse such adaptations, changes or adjustments, or attempt to do so, whether properly performed or not, nor any damage resulting from them, nor any adaptation, change or adjustments to upgrade the products from their normal purpose as described in the products operative manual without the prior written consent of Tapflo.
8. Installation, including electric and other connections to utility mains according to Tapflo drawings, is for the cost and responsibility of the customer, unless otherwise agreed in writing.
9. Tapflo will not be liable on any claim, whether in contract, tort, or otherwise, for any indirect, special, incidental, or consequential damages, caused to the customer or to third parties, including loss of profits, arising by any possible infringement of par. 3 above or by the customer or third parties being in the impossibility of using the products.

Steady the above, Tapflo liability to the customer or third parties from any claim, whether in contract, tort, or otherwise, shall be limited to the total amount paid by the customer for the product that caused the damages.

## Sweden

Filaregatan 4 | S-442 34 Kungälv

Tel: +46 303 63390

Fax: +46 303 19916

E-mail addresses:

Commercial questions: [sales@tapflo.com](mailto:sales@tapflo.com)

Orders: [order@tapflo.com](mailto:order@tapflo.com)

Tech support: [support@tapflo.com](mailto:support@tapflo.com)

## Tapflo products and services are available in 75 countries on 6 continents.

Tapflo is represented worldwide by own Tapflo Group Companies and carefully selected distributors assuring highest Tapflo service quality for our customers' convenience.

AUSTRALIA | AUSTRIA | AZERBAIJAN | BAHRAIN | BELARUS | BELGIUM | BOSNIA & HERZEGOVINA | BRAZIL | BULGARIA | CANADA | CHILE | CHINA | COLOMBIA | CROATIA | CZECH REPUBLIC | DENMARK | ECUADOR | EGYPT | ESTONIA | FINLAND | FRANCE | GREECE | GEORGIA | GERMANY | HONG-KONG | HUNGARY | ICELAND | INDIA | INDONESIA | IRAN | IRELAND | ISRAEL | ITALY | JAPAN | JORDAN | KAZAKHSTAN | KUWAIT | LATVIA | LIBYA | LITHUANIA | MACEDONIA | MALAYSIA | MEXICO | MONTENEGRO | MOROCCO | THE NETHERLANDS | NEW ZEALAND | NORWAY | POLAND | PORTUGAL | PHILIPPINES | QATAR | ROMANIA | RUSSIA | SAUDI ARABIA | SERBIA | SINGAPORE | SLOVAKIA | SLOVENIA | SOUTH AFRICA | SOUTH KOREA | SPAIN | SUDAN | SWEDEN | SWITZERLAND | SYRIA | TAIWAN | THAILAND | TURKEY | UKRAINE | UNITED ARAB EMIRATES | UNITED KINGDOM | USA | UZBEKISTAN | VIETNAM

## Tapflo Group Companies

### Austria

Tapflo Austria  
Tel: +43 732 27292910  
[sales@tapflo.at](mailto:sales@tapflo.at)

### Azerbaijan

Tapflo Azerbaijan LLC  
Tel: +994 502660799  
[sales@tapflo.az](mailto:sales@tapflo.az)

### Baltic States

Tapflo Latvia  
Tel: +371 67472205  
[sales@tapflo.lv](mailto:sales@tapflo.lv)

### Belarus

Tapflo Belarus  
Tel: +375 17 3934609  
[sales@tapflo.by](mailto:sales@tapflo.by)

### Bulgaria

Tapflo EOOD  
Tel: +359 (2) 974 18 54  
[office@tapflo.org](mailto:office@tapflo.org)

### Canada

Tapflo Canada  
Tel: +1 514 813 5754  
[canada@tapflo.com](mailto:canada@tapflo.com)

### Croatia

Tapflo GmbH  
Tel: +385 91 4884 666  
[sales@tapflo.hr](mailto:sales@tapflo.hr)

### Czech Republic

Tapflo s.r.o.  
Tel: +420 513033924  
[tapflo@tapflo.cz](mailto:tapflo@tapflo.cz)

### China

Tapflo (Wuxi)  
Tel: +86 510 8241 7602  
[sales@tapflo.cn](mailto:sales@tapflo.cn)

### Denmark

Tapflo Danmark  
Tel: +45 36 454600  
[info@tapflo.dk](mailto:info@tapflo.dk)

### France

Tapflo France  
Tel: +33 1 34 78 82 40  
[info@tapflo.fr](mailto:info@tapflo.fr)

### Georgia

Tapflo Georgia  
Tel: +995 577 463010  
[sales@tapflo.ge](mailto:sales@tapflo.ge)

### India

Tapflo Fluid Handling India  
Pvt Ltd  
Tel: +91 20 65000215  
[ad@tapflo.in](mailto:ad@tapflo.in)

### Ireland

Tapflo Ireland Ltd  
Tel: +353 1 2011911  
[info@tapflo.ie](mailto:info@tapflo.ie)

### Italy

Tapflo Italia  
Tel: +39 0362307698  
[info@tapfloitalia.com](mailto:info@tapfloitalia.com)

### Japan

Tapflo Japan K.K.  
Tel: +81-3-6240-3510  
[tapflojp@tapflo.co.jp](mailto:tapflojp@tapflo.co.jp)

### Kazakhstan

Tapflo Kazakstan  
Tel: +7 727 3278347  
[sales@tapflo.kz](mailto:sales@tapflo.kz)

### Poland

Tapflo Sp. z o.o.  
Tel: +48 58 530 42 00  
[info@tapflo.pl](mailto:info@tapflo.pl)

### Romania

S.C. Tapflo Rom. S.r.l.  
Tel: +40 21 3451255  
[sales@tapflo.ro](mailto:sales@tapflo.ro)

### Russia

Tapflo Company  
Tel: +7 495 232 18 28  
[sales@tapflo.com.ru](mailto:sales@tapflo.com.ru)

### Serbia

Tapflo d.o.o.  
Tel: +381 21 44 58 08  
[sales@tapflo.rs](mailto:sales@tapflo.rs)

### Slovakia

Tapflo s.r.o.  
Tel: +421 911 137 883  
[tapflo@tapflo.sk](mailto:tapflo@tapflo.sk)

### Slovenia

Tapflo GmbH  
Tel: +386 68 613 474  
[sales@tapflo.hr](mailto:sales@tapflo.hr)

### Spain

Tapflo Iberica  
Tel: +34 91 8093182  
[avives@tapfloiberica.es](mailto:avives@tapfloiberica.es)

### South Africa

Tapflo (Pty) Ltd  
Tel: +27 31 701 5255  
[sales@tapflo.co.za](mailto:sales@tapflo.co.za)

### Turkey

Tapflo Makina Ltd  
Tel: +90 216 467 33 11  
[sales@tapflo.com.tr](mailto:sales@tapflo.com.tr)

### Ukraine

TOB Tapflo  
Tel: +380 44 222 68 44  
[sales@tapflo.com.ua](mailto:sales@tapflo.com.ua)

### Uzbekistan

Tapflo Uzbekistan  
Tel: +998 712340940  
[sales@tapflo.uz](mailto:sales@tapflo.uz)

### United Kingdom

Tapflo (UK) Ltd  
Tel: +44 2380 252325  
[sales@tapflo pumps.co.uk](mailto:sales@tapflo pumps.co.uk)