

tapflo®

ACTIVE PULSATION DAMPENERS

edition 2015 rev 1

The new
DT series



» All about your flow

www.tapflo.com

DT series

Active pulsation dampeners

The active pulsation dampener is the most efficient way to remove pressure variations on the discharge of the pump.

The Tapflo pulsation dampener works actively with compressed air and a diaphragm, automatically setting the correct pressure to minimise the pulsations.

AT 



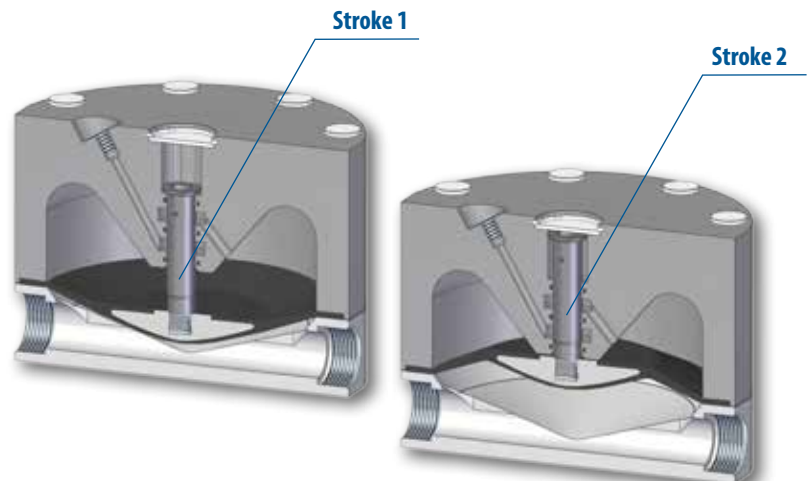
Explosion proof models are available

Certified according to directive 94/9/EC (ATEX), group II, cat 2, for use in EX-zone 1.

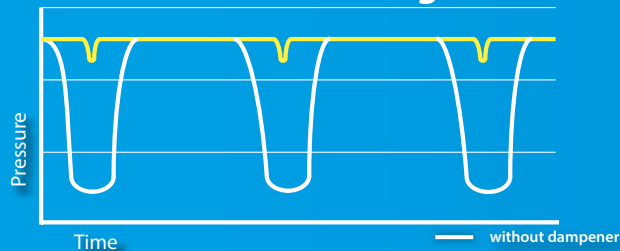
Contact us for information.

How it works

When the pressure in the piping system decreases, due to the pulsating nature of the pump operation, the pulsation dampener supplies extra pressure to the discharge between the pump strokes, therefore supplying a steady flow of pumped medium. This pumping action created by the dampener, decreases the pressure variations and pulsations.



■ Features when using the DT series pulsation dampener



The dampening effect

The pressure variation in a discharge line with and without a pulsation dampener.

- Minimized vibrations and water hammer effects
- Protection of all kinds of instruments in your pipe system
- Optimized pump performance and reduced maintenance costs

Options & accessories



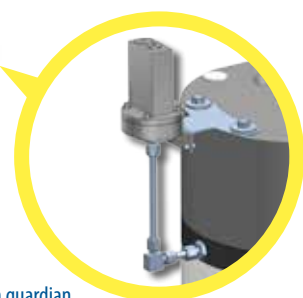
■ Pulsation dampener with stand



■ Pulsation dampener with pump



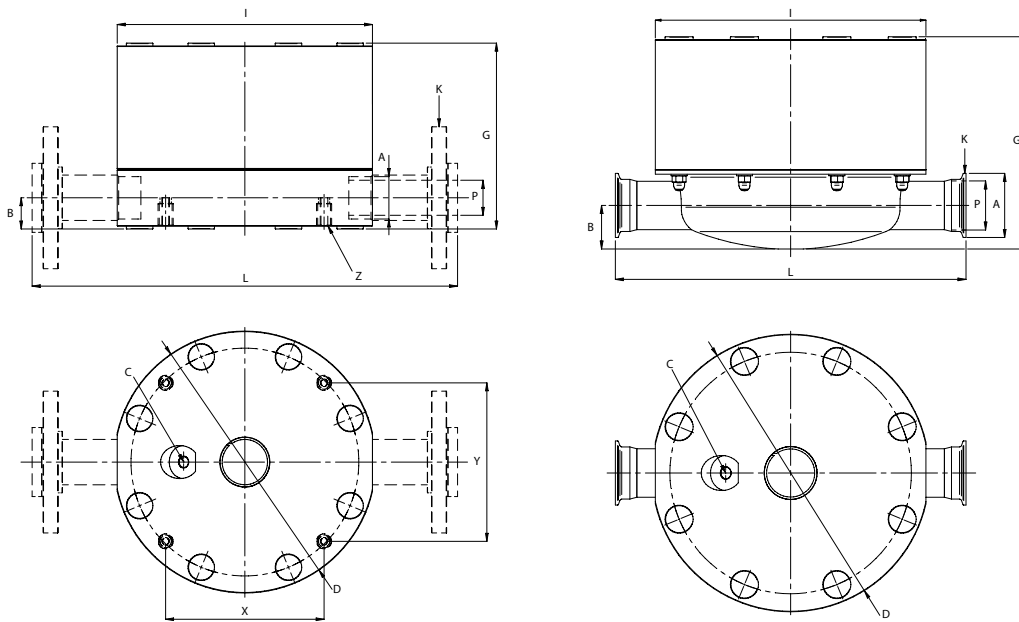
■ Pulsation dampener with guardian



DT series - Active pulsation dampeners - dimensions

PE, PTFE & aluminium dampeners

Stainless steel and sanitary dampener



Dimensions in mm (where other is not indicated) | Dimensions in inch (where other is not indicated)

DIMENSION	DAMPENER SIZE																			
	9/20	25	30	50	70	80	100	120	125	200	220	225	400	420	425	800	820	825		
A (BSP)	G 3/8"			G 1/2"		G 3/4"		G 1"			G 1 1/2"			G 2"			-	G 3 1/2"		-
B	15/33 ¹	13	10,6	17/35 ¹	15,5	16,5	25,5/42,5 ¹	22,5	16,5	33/50 ²	30	43,5	40,5/58 ¹	38	46	92	90	19,3	0,76	
	0,59/1,3 ¹	0,51	0,42	0,67/1,38 ¹	0,61	0,65	1/1,67 ¹	0,89	0,65	1,3/1,97 ¹	1,18	1,71	1,59/2,28 ¹	1,50	1,81	3,62	3,54			
C	G 1/8"			G 1/4"		G 1/4"			G 1/4"			G 1/4"			G 1/4"			G 1/4"		
D	110			158		208			277			360			470			470		
	4,33			6,22		8,19			10,91			14,17			18,50			18,50		
G	85/103 ¹	81	78,5	109,5/129,5 ¹	105,5	117,5	144,5/161,5 ¹	141,5	135	200,5/217,5 ¹	197,5	216	244/261 ¹	241	256,5	394	392	330		
	3,35/4,06 ¹	3,19	3,09	4,31/5,1 ¹	4,15	4,63	5,69/6,36 ¹	5,57	5,31	7,89/8,56 ¹	7,78	8,50	9,61/10,28 ¹	9,49	10,10	15,51	15,43	12,99		
I	107			155		203			270			352			470			470		
	4,21			6,10		7,99			10,63			13,86			18,50			18,50		
K (BSP)	G 3/8"			G 1/2"		G 3/4"		G 1"			G 1 1/2"			G 2"			-	G 3 1/2"		-
L	DIN & ANSI	235	-	285	-	375	-	450	-	550	-	550	-	700	-	700	-	-	-	
	Flange	9,25	-	11,22	-	14,76	-	17,72	-	21,65	-	21,65	-	27,56	-	27,56	-	-	-	
	BSP	107	-	155	-	203	-	270	-	352	-	352	-	470	-	470	-	-	-	
	Other Connections ³	4,21	-	6,10	-	7,99	-	10,63	-	13,86	-	13,86	-	18,50	-	18,50	-	-	-	
P (BSP)	G 3/8"			G 1/2"		G 3/4"		G 1"			G 1 1/2"			G 2"			-	G 3 1/2"		-
X	36			90,3		113,8			167,6			226,3			297			297		
	1,42			3,56		4,48			6,60			8,91			11,69			11,69		
Y	86,8			100,3		135,6			167,6			226,3			297			297		
	3,42			3,95		5,34			6,60			8,99			11,69			11,69		
Z	M4x20	M4x17	-	M4x20	M4x17	-	M8x30/22 ¹	M8x25	-	M8x30/22 ¹	M8x25	-	M8x30/22 ¹	M8x25	-	M8x22 PTFE	M8x25	-	-	

- 1 PE / PTFE
- 2 ALU / SS
- 3 ISO 2852, DIN 11851, SMS1145, BS 4825 (RTJ)
- * Dimensions for other connections in IOM Manual p. 17

Dampener code

The details, specification, size and materials of the major components.

For Tapflo pump size (l/min)

PD - Tapflo active pulsation dampener

DT X 50

Basic options:
X = ATEX approved, group II, cat 2

Material of diaphragm:
E = EPDM
B = PTFE 1705B (solvents)
W = White (food grade) EPDM
N = NBR (nitrile rubber)
T = PTFE
Z = PTFE with white back

Material of wetted dampener housing:
A = aluminium
P = polyethylene
S = stainless steel AISI 316L
T = PTFE

Special executions*:
3 = Optional connections
5 = Other special executions*
6 = Optional material damper block
9 = Optional material housing screws
11 = Housing reinforcement plate

P T - 3APL

* = Ask us for complete pump code with all available options and executions. Changes reserved without notice

TAPFLO AB

Sweden

Filaregatan 4 | S-442 34 Kungälv

Tel: +46 303 63390

Fax: +46 303 19916

E-mail addresses:

Commercial questions: sales@tapflo.com

Orders: order@tapflo.com

Tech support: support@tapflo.com

Tapflo products and services are available in 64 countries on 6 continents.

Tapflo is represented worldwide by own Tapflo Group Companies and carefully selected distributors assuring highest Tapflo service quality for our customers' convenience.

AUSTRALIA | AUSTRIA | AZERBAIJAN | BELARUS | BELGIUM | BOSNIA | BRAZIL | BULGARIA | CHILE | CHINA | COLOMBIA | CROATIA | CZECH REPUBLIC | DENMARK | ECUADOR | ESTONIA | FINLAND | FRANCE | GREECE | GEORGIA | GERMANY | HONG-KONG | HUNGARY | INDIA | INDONESIA | IRAN | IRELAND | ISRAEL | ITALY | JAPAN | KAZAKHSTAN | LATVIA | LITHUANIA | MACEDONIA | MALAYSIA | MEXICO | MONTENEGRO | THE NETHERLANDS | NEW ZEALAND | NORWAY | POLAND | PORTUGAL | PHILIPPINES | ROMANIA | RUSSIA | SERBIA | SINGAPORE | SLOVAKIA | SLOVENIA | SOUTH AFRICA | SOUTH KOREA | SPAIN | SWEDEN | SWITZERLAND | SYRIA | TAIWAN | THAILAND | TURKEY | UKRAINE | UNITED ARAB EMIRATES | UNITED KINGDOM | USA | UZBEKISTAN | VIETNAM

Tapflo Group Companies

Austria

Tapflo Austria
Tel: +43 732 27292910
sales@tapflo.at

China

Tapflo (Wuxi)
Tel: +86 510 8241 7602
sales@tapflo.cn

Japan

Tapflo Japan K.K.
Tel: +81-3-6240-3510
tapflojp@tapflo.co.jp

Slovenia

Tapflo GmbH
Tel: +386 68 613 474
sales@tapflo.hr

Azerbaijan

Tapflo Azerbaijan LLC
Tel: +994 502660799
sales@tapflo.az

Denmark

Tapflo Danmark
Tel: +45 36 454600
info@tapflo.dk

Kazakhstan

Tapflo Kazakstan
Tel: +7 727 3278347
sales@tapflo.kz

Spain

Tapflo Iberica
Tel: +34 91 8093182
avives@tapfloiberica.es

Baltic States

Tapflo Latvia
Tel: +371 67472205
sales@tapflo.lv

France

Tapflo France
Tel: +33 1 34 78 82 40
info@tapflo.fr

Poland

Tapflo Sp. z o.o.
Tel: +48 58 530 42 12
info@tapflo.pl

South Africa

Tapflo (Pty) Ltd
Tel: +27 31 701 5255
sales@tapflo.co.za

Belarus

Tapflo Belarus
Tel: +375 17 3934609
sales@tapflo.by

Georgia

Tapflo Georgia
Tel: +995 577 463010
sales@tapflo.ge

Romania

S.C. Tapflo Rom. S.r.l.
Tel: +40 21 3451255
sales@tapflo.ro

Turkey

Tapflo Makina Ltd
Tel: +90 216 467 33 11
sales@tapflo.com.tr

Bulgaria

Tapflo EOOD
Tel: +359 (0)2 974 18 54
office@tapflo.bg

India

Tapflo Fluid Handling India Pvt Ltd
Tel: +91 20 65000215
ad@tapflo.in

Russia

Tapflo Company
Tel: +7 495 232 18 28
sales@tapflo.com.ru

Ukraine

TOB Tapflo
Tel: +380 44 222 68 44
sales@tapflo.com.ua

Croatia

Tapflo GmbH
Tel: +385 91 4884 666
sales@tapflo.hr

Ireland

Tapflo Ireland Ltd
Tel: +353 1 2011911
info@tapflo.ie

Serbia

Tapflo d.o.o.
Tel: +381 21 44 58 08
sales@tapflo.rs

Uzbekistan

Tapflo Uzbekistan
Tel: +998 712370940
sales@tapflo.uz

Czech Republic

Tapflo s.r.o.
Tel: +420 513 033 924
tapflo@tapflo.cz

Italy

Tapflo Italia
Tel: +39 0362307698
info@tapfloitalia.com

Slovakia

Tapflo s.r.o.
+421 911 137 883
tapflo@tapflo.sk

United Kingdom

Tapflo (UK) Ltd
Tel: +44 2380 252325
sales@tapflopumps.co.uk